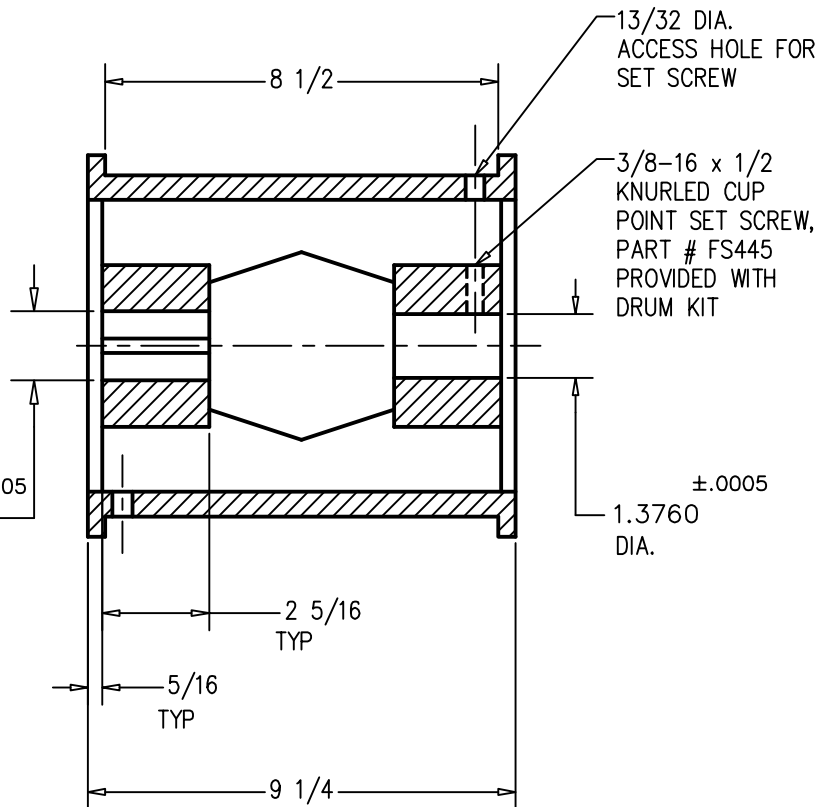


5/16x5/32 KEYWAY  
 KEY: 5/16 SQUARE x 2" LONG  
 MAT'L: 1018 CDS KEYSTOCK  
 PART # K10849P5  
 PROVIDED WITH DRUM KIT

±.0005  
 1.4960  
 DIA.



13/32 DIA.  
 ACCESS HOLE FOR  
 SET SCREW

3/8-16 x 1/2  
 KNURLED CUP  
 POINT SET SCREW,  
 PART # FS445  
 PROVIDED WITH  
 DRUM KIT

±.0005  
 1.3760  
 DIA.

8 1/2

2 5/16  
 TYP

5/16  
 TYP

9 1/4

**SPECIFICATIONS:**

**1. WIRE ROPE:**

FOR USE WITH 1/4" OR 5/16"  
 DIAMETER WIRE ROPE

**2. PITCH DIAMETER**

7-1/4" P.D.

**3. MATERIAL:**

CAST IRON

**4. GROOVING:**

NUMBER OF TURNS: 23-1/2

TURNS PER INCH: 3

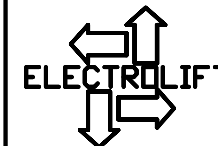
DIRECTION: RIGHT HAND

**5. MAXIMUM LINE PULL:**

1500 LBS.

**BILL OF MATERIAL  
 KM303P2 DRUM KIT**

QTY	PART #	DESCRIPTION
1	M303P2	DRUM
1	K10849P5	KEY
1	FS445	SET SCREW



ELECTROLIFT, INC.  
 204 SARGEANT AVE.  
 CLIFTON, NJ 07013  
 PH: 973-471-0204  
 FAX: 973-471-2814  
 www.electrolift.com

REV.	ECO#	DATE	BY:
-	-	-	-
DRUM KIT PART NUMBER: KM303P2			
DATE: 7/30/08	SCALE: 1/4	DWG SIZE: A	DRAWN BY: DR

DRAWING NO.:

KM303P2-WPDF