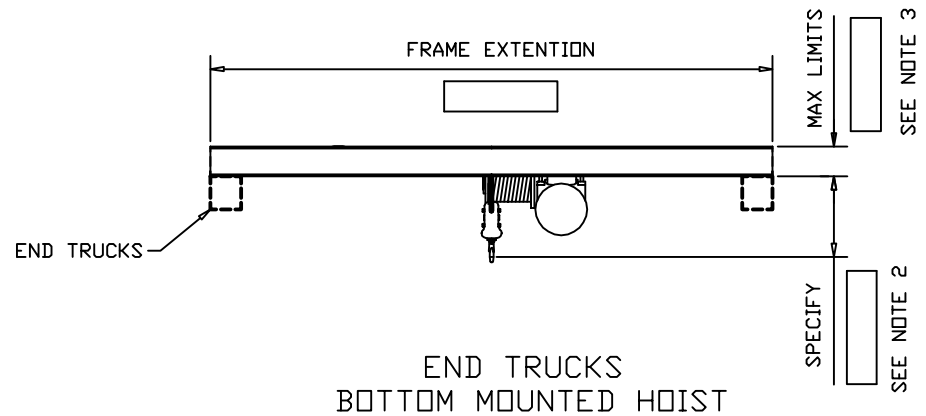
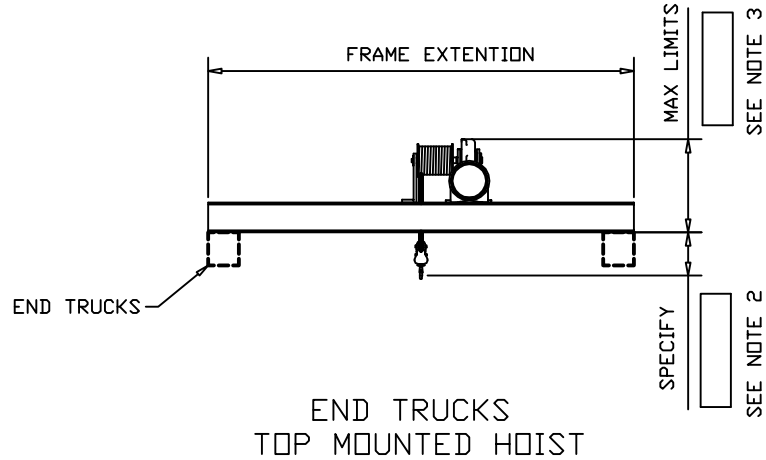


UNDERHUNG TROLLEYS  
TOP MOUNTED HOIST

UNDERHUNG TROLLEYS  
BOTTOM MOUNTED HOIST



END TRUCKS  
TOP MOUNTED HOIST

END TRUCKS  
BOTTOM MOUNTED HOIST

## SINGLE HOOK DUAL RAIL CONFIGURATIONS

NOTES:

1. TREAD OF TRACK TO PALM OF HOOK
2. BOTTOM OF FRAME TO PALM OF HOOK
3. IF NO DIMENSIONAL LIMITATIONS EXIST MARK "NONE".