

ISSUE 1
11/15/65

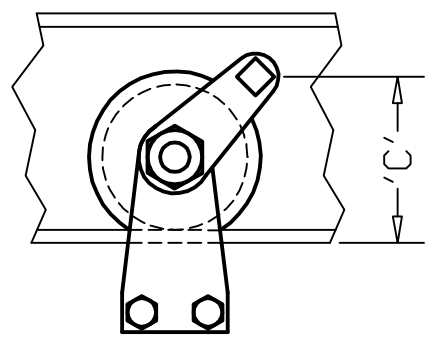
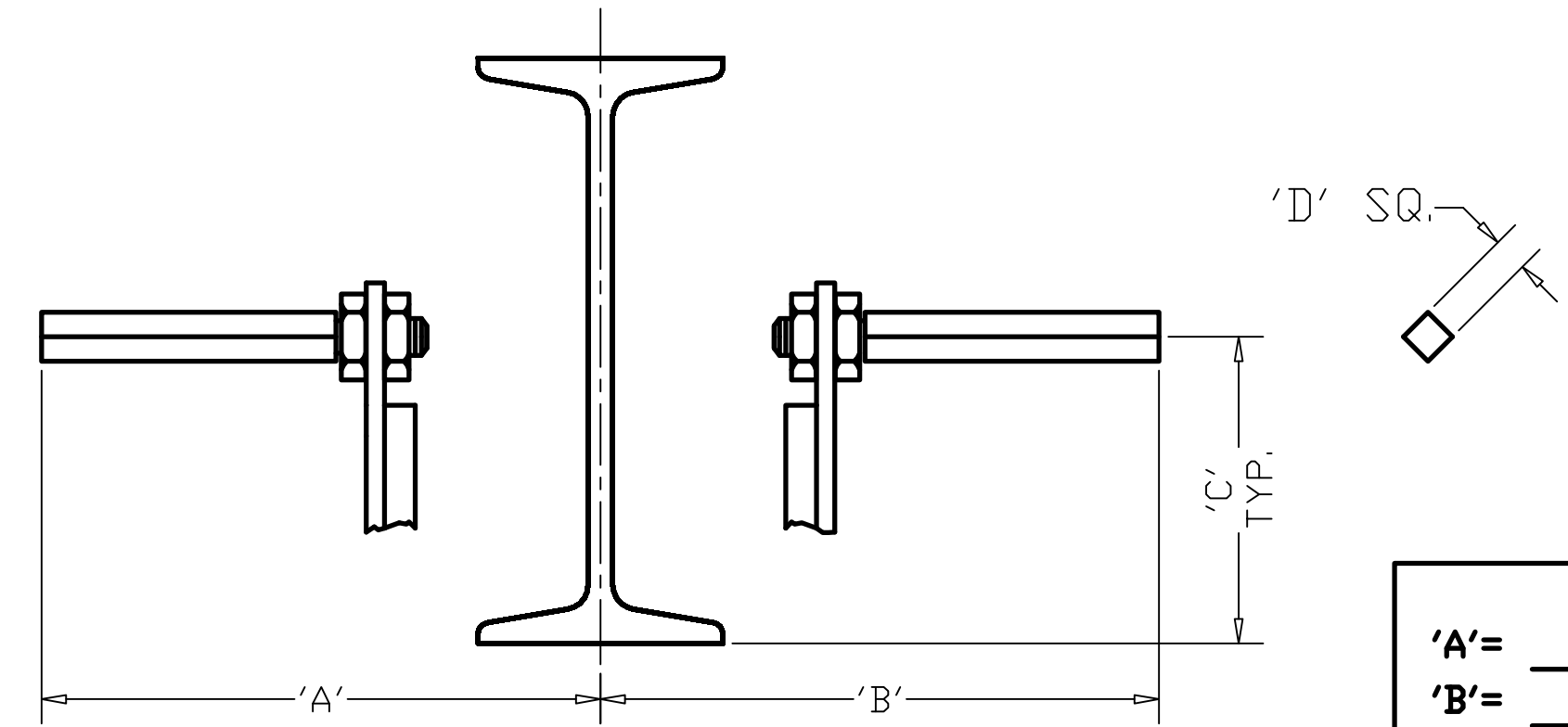
ISSUE 2
10/1/76
REDRAWN
N.A

ISSUE 3
8/22/96
REDRAWN
D.E.

ISSUE 4
12/16/98

ISSUE 5
12/15/00

ISSUE 6
2/22/05,AR
REDRAWN



'A' =	_____
'B' =	_____
'C' =	_____
'D' =	_____

TOLERANCES		SKETCH OF COLLECTOR SPACING ON I-BEAM	
UNLESS SPECIFIED		DRAWN BY	DATE
FRACTIONAL = $\pm 1/16$		AR	2/22/05
X.XX = $\pm .01$		MAT'L	SCALE
X.XXX = $\pm .005$		H.R.S.	N.T.S.
X.XXXX = $\pm .0005$		ELECTRO LIFT INC.	
		204 SARGEANT AVE CLIFTON N.J.	
		K-3282	