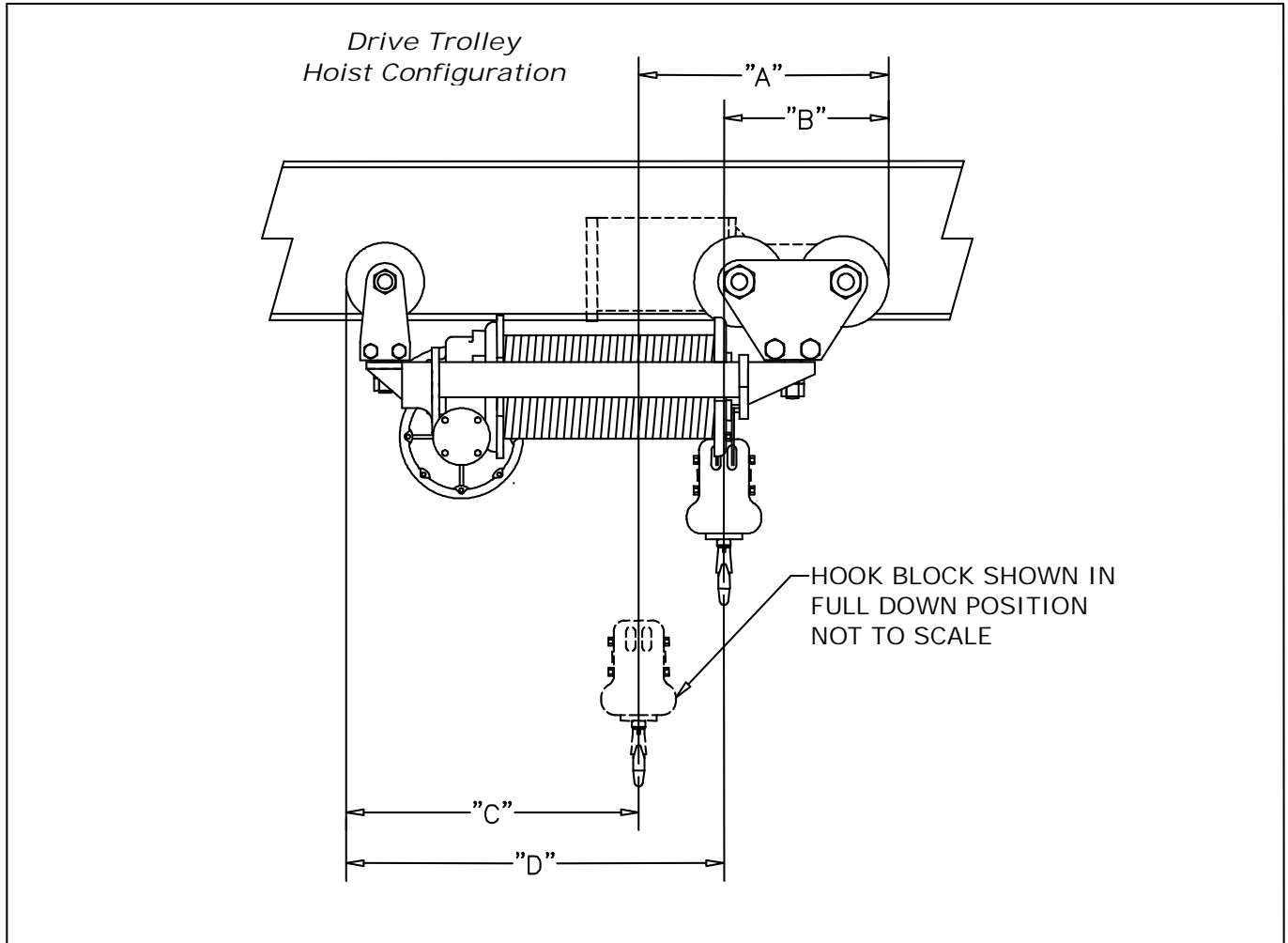


END APPROACH



End Approach is the relationship between the hook and the outermost part of the hoist in the same axis as the track it is riding on. Depending upon the dimensional restrictions of a system, dimension "A", "B", "C" or "D" may be a limiting factor in hoist selection.