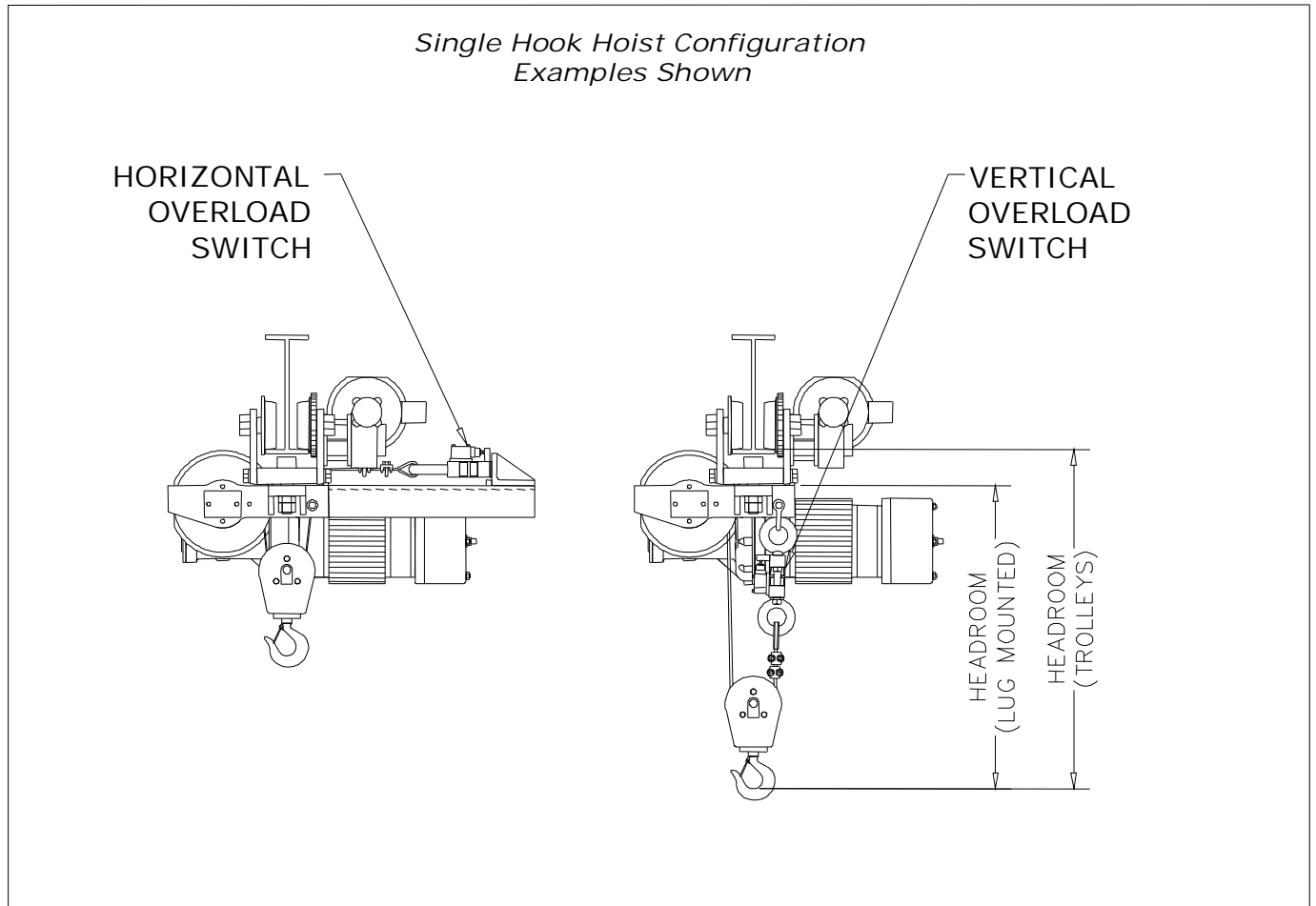


OVERLOAD SWITCHES



An overload switch will shut down the hoist up circuit when an overload condition exists. The switches are factory set to trip at a customer specified load level. The vertical configuration provides an economical solution where headroom loss is not an issue. The horizontal configuration provides overload protection without any loss of headroom.