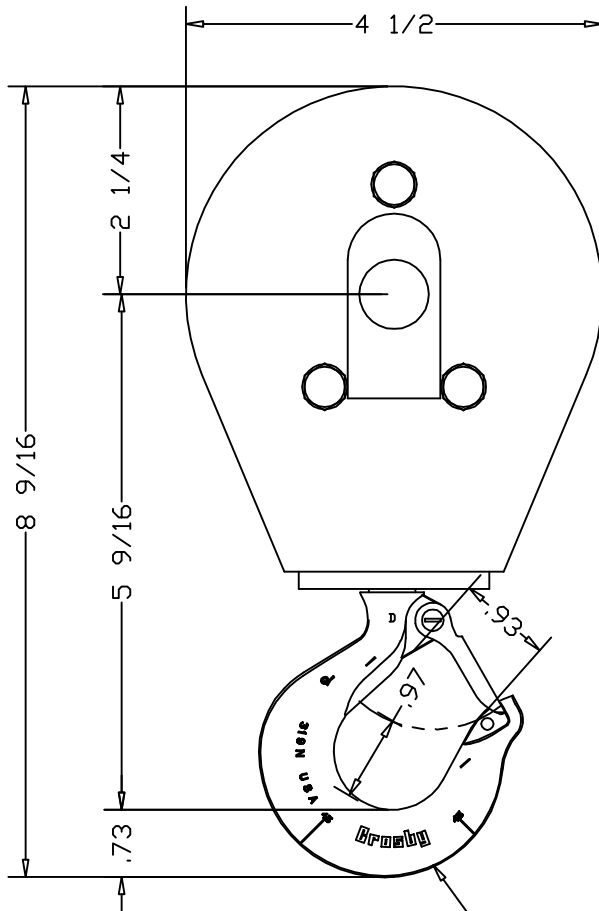
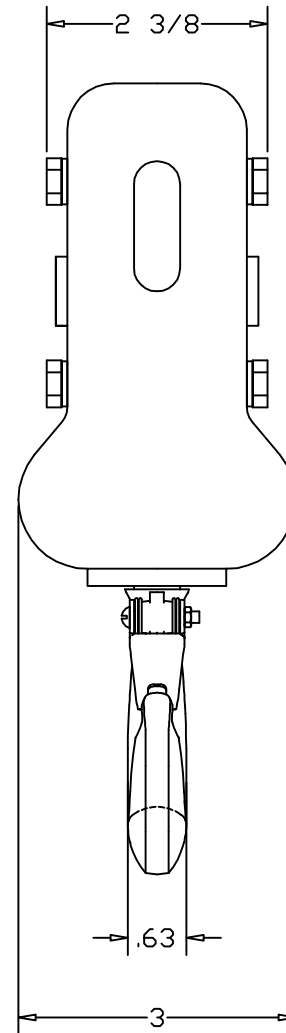


# CAPACITY 750 LBS.

FACTOR OF SAFETY  
5 TO 1 MINIMUM



STANDARD HOOK ASSEMBLY  
CONTACT ELECTROLIFT'S  
SALES DEPARTMENT FOR  
OTHER OPTIONS.



## SPECIFICATIONS:

### 1. WIRE ROPE:

FOR USE WITH 1/4" OR 5/16"  
DIAMETER WIRE ROPE

### 2. SHEAVES:

QUANTITY = 1  
PITCH DIAMETER = 3 1/2"  
MATERIAL =

FOR STANDARD DUTY:  
CAST IRON SHEAVE  
WITH BRONZE BEARING

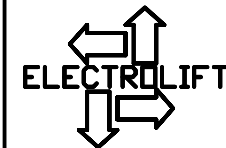
FOR HEAVY DUTY  
(UPON REQUEST):  
STEEL SHEAVE WITH  
BRONZE BEARING

### 4. HOOK ASSEMBLY PART NUMBER:

P531P5 HOOK ASSEMBLY  
HOOK ASSEMBLY MADE FROM  
CROSBY S-319CN 3/4 TON  
CARBON HOOK PART #1028505

### 5. WEIGHT:

7 LBS



ELECTROLIFT, INC.  
204 SARGEANT AVE.  
CLIFTON, NJ 07013  
PH: 973-471-0204  
FAX: 973-471-2814  
www.electrolift.com

REV.	ECO#	DATE	BY:
STANDARD HOOK BLOCK:			
M1184A			
DATE:	SCALE:	DWG SIZE:	DRAWN BY:
2/26/08	1/2	A	DR

DRAWING NO:  
M1184A-WPDF