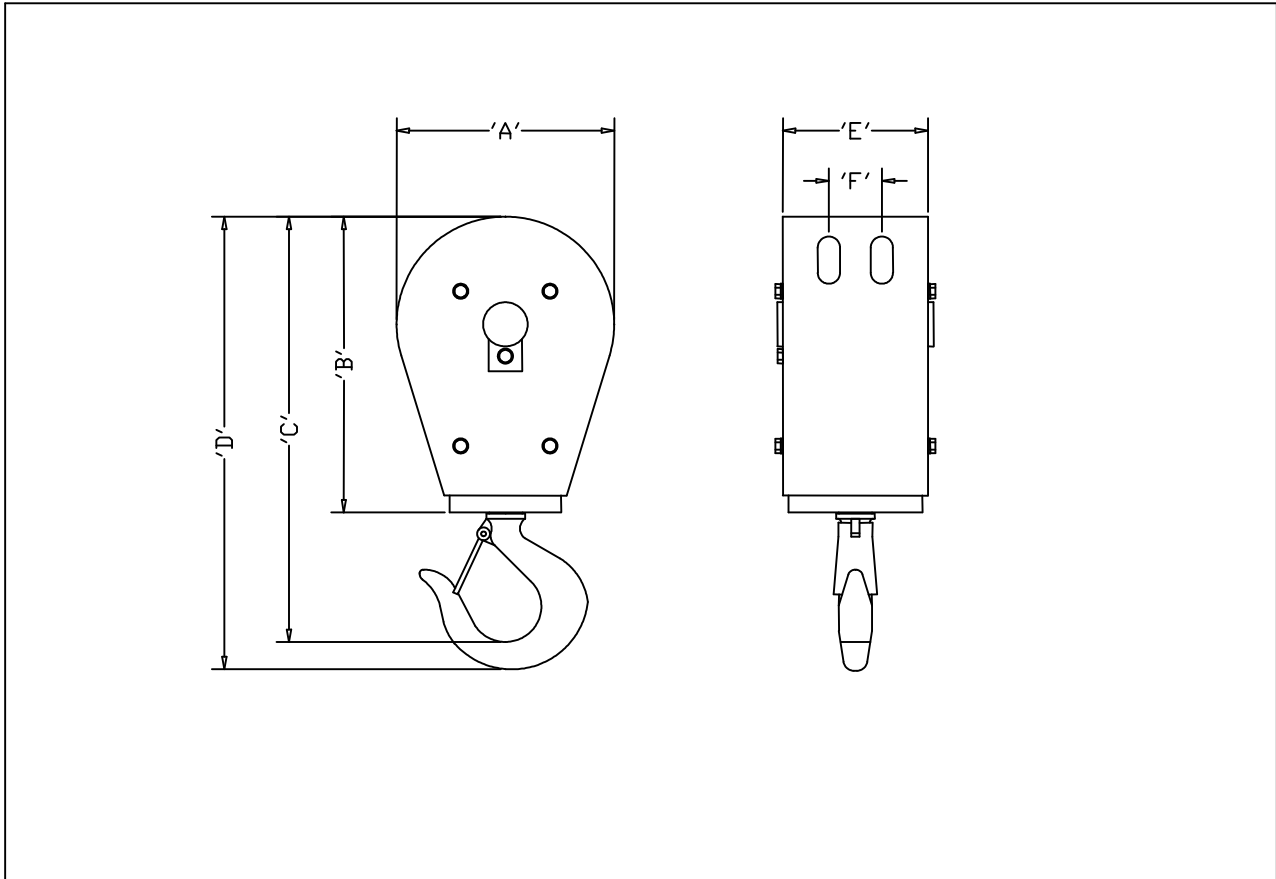


How to Identify an Electrolift Hook Block

To identify an Electrolift hook block, measure the hook block and identify the five (5) dimensions shown on the drawing below. The chart shows tabulated dimensions for all standard Electrolift hook blocks with standard sheaves and hooks. Sheaves and hooks may be special per job, contact Electrolift for specifications. The drawing below is representative, individual hook blocks may look different. All dimensions are approximate.



Hookblock	Capacity (lbs)	No. of Sheaves	"A"	"B"	"C"	"D"	"E"	"F"	Hook Assembly Electrolift Part#
M-1184-A	750	1	4 1/2	5 7/16	7 13/16	8 9/16	3	-	P-531-P5
M-1041-A	1000	1	5 1/4	6 1/4	9	10	3 1/2	-	P-531-P6
M-1047-A	2000	2	5 1/4	6 3/4	10	11 1/8	5 1/4	1 1/8	P-531-P8
M-1046-A	3000	1	6 3/8	7 3/4	11	12 1/8	4	-	P-531-P8
M-2538-A	6000	1	9 5/8	11 15/16	15 13/16	17 1/4	6	-	P-531-P7
M-1048-B	6000	2	6 7/16	8 3/4	12 9/16	14	6 3/4	1 1/2	P-531-P7
M-2526-A	10000	1	11 3/4	14 7/8	20 7/8	23 1/16	5 1/2	-	P-531-P9
M-2537-A	10000	2	9 1/2	12 7/8	18 3/4	21 1/16	6 1/2	2 3/8	P-531-P9
M-2536-A	15000	2	9 1/2	13 1/4	19 3/16	21 7/16	6 1/2	2 3/8	P-531-P12
M-2535-A	20000	2	11 5/8	16 1/16	24 1/4	27 1/4	8 7/8	3	P-531-P11
M-8050	6000	2	6	6 1/4	8 3/4	10 1/8	7 3/4	4 5/16	P-531-P19
M-12045-A	10000	2	7 7/8	8	12 1/8	14 3/8	10 7/16	6 11/16	P-531-P15

Hook Block Images



M-1184-A



M-1041-A



M-1047-A



M-1046-A



M-2538-A



M-1048-B



M-2526-A



M-2537-A



M-2536-A



M-2535-A



M-8050-A



M-12045-A