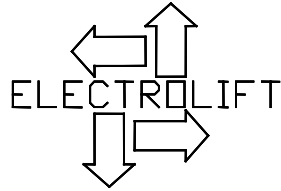
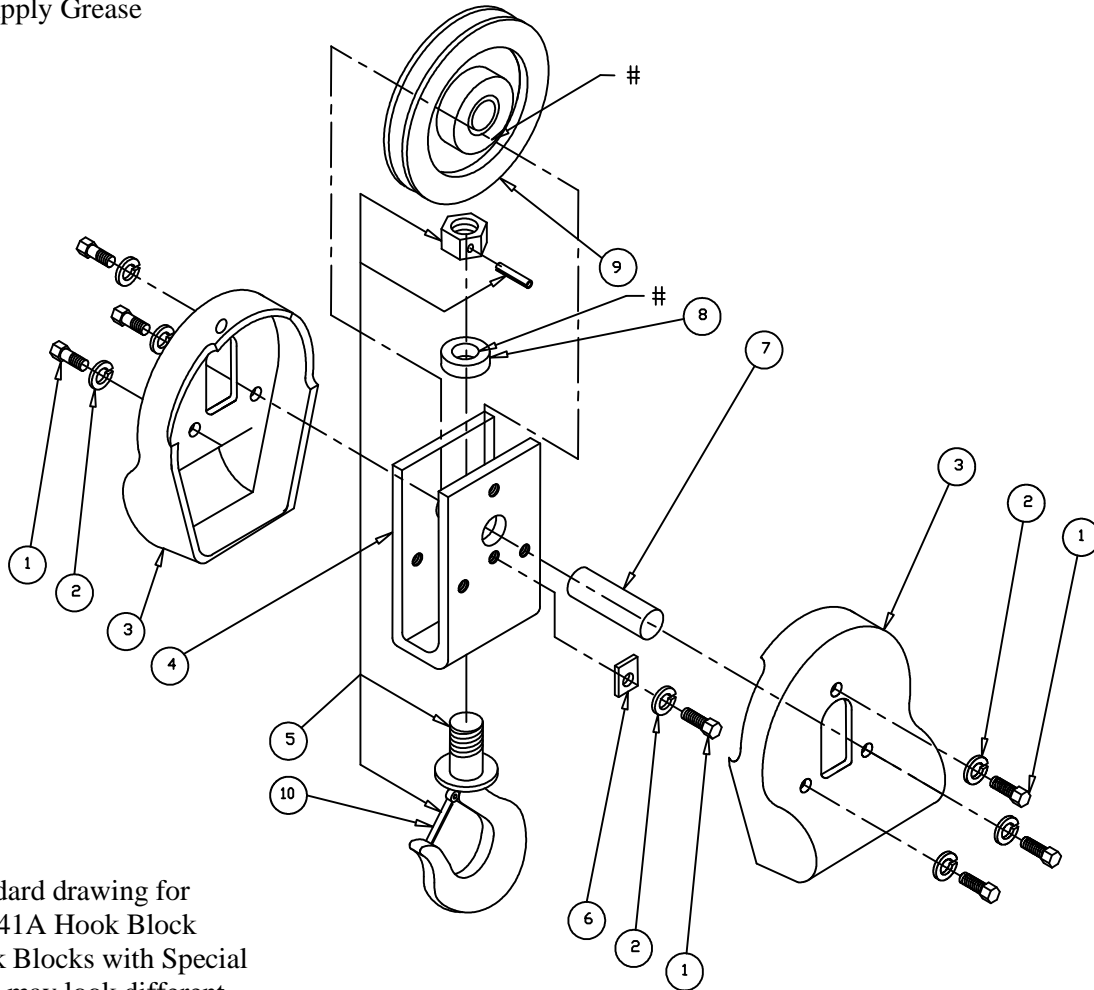


Parts List  
 Customer Service:  
 1-800-338-9951



M1041A Hook Block  
 Issue 2: 10/4/04

# - Apply Grease



Standard drawing for  
 M1041A Hook Block  
 Hook Blocks with Special  
 Parts may look different

Bill of Materials for Standard M1041A Hook Block			
ITEM #	PART NO.	QTY	DESCRIPTION
10*	DM7078	1	LATCH KIT
9	K103P1	1	SHEAVE, 4 PD, 1/4" CABLE
8	DM7150	1	BEARING, THR, 605, .62 ID, 1.125 OD, .34 W
7	K3116	1	PIN, SHEAVE, HB, A
6	K1868	1	LOCKING PIECE, TYPE A, 4 ROPE, HB
5**	P531P6	1	ASSY, HOOK, S319CN, 1-1/2 SWL, M-1041-A
4	K3115	1	YOKE, HOOK BLOCK, M-1041-A, A HOIST
3	K841	2	GUARD, HB, A, FOR M-1041-A
2	FS312	7	WASHER,L,5/16, PLAIN
1	FS119	7	SCREW,HHCS,5/16-18x1/2,GR2,PLAIN
ITEM #	PART NO.	QTY	DESCRIPTION

\* Note: The Latch Kit, (item #10) is provided on the Hook Assembly (Item #5). The Latch Kit is also available for individual purchase.  
 \*\* For hook blocks with a heat shield, use P531-P25