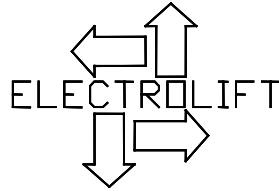
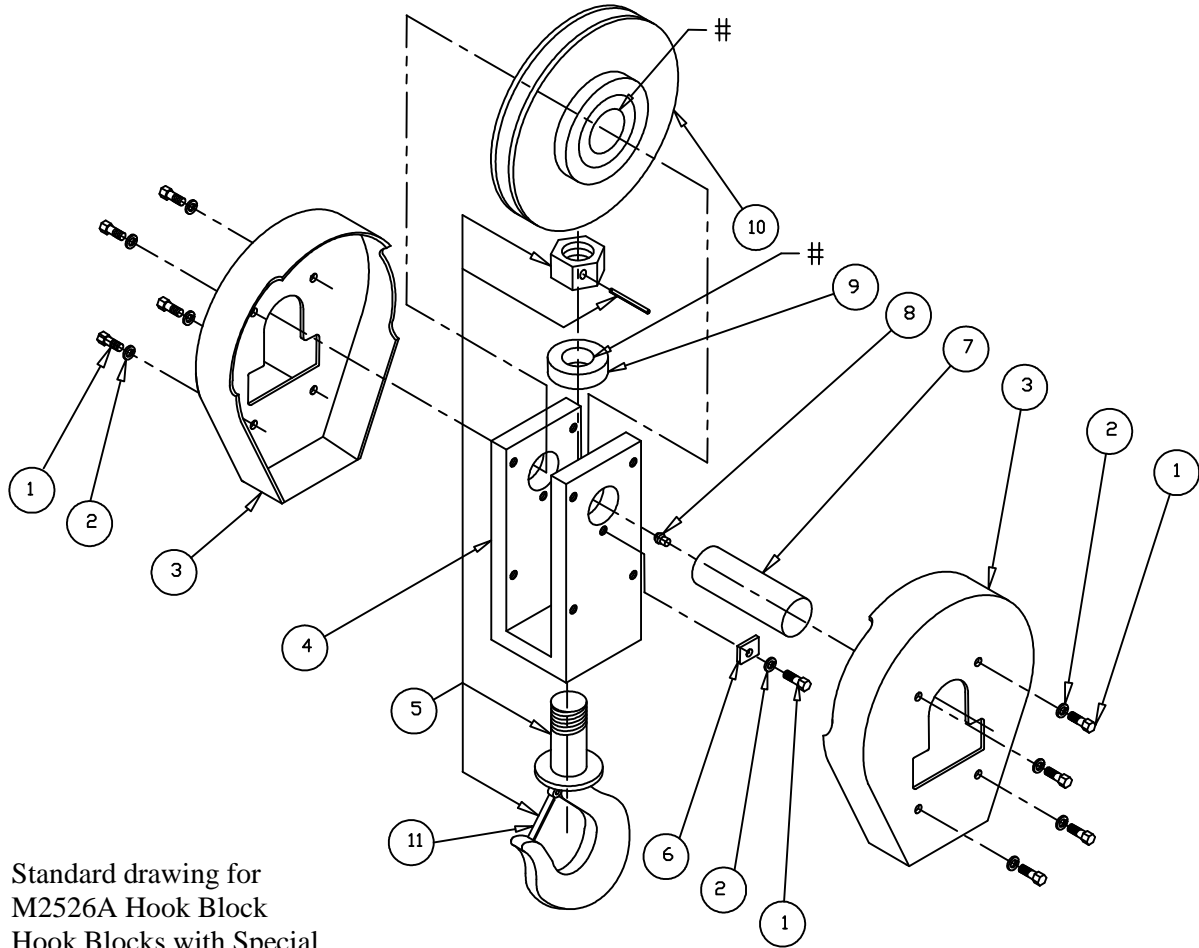


Parts List
 Customer Service:
 1-800-338-9951



M2526A Hook Block
 Issue 2: 10/4/04

- Apply Grease



Standard drawing for
 M2526A Hook Block
 Hook Blocks with Special
 Parts may look different

Bill of Materials for Standard M2526A Hook Block			
11*	DM7237	1	LATCH KIT
10	M1210P4AS	2	SHEAVE, 10 PD, 9/16 CABLE, SMALL BORE
9	DM7196	1	BEARING, THR, T151W, 1.51 ID, 2.85 OD, .84 W
8	FS346	1	FITTING,GREASE,DRIVE,STRAIGHT,1/4x35/64,ALEMITE 1743-B
7	K1964	1	PIN, SHEAVE, HB, 5 TON
6	K1949	1	LOCKING PIECE, TYPE C, 4 ROPE, HB
5**	P531P9	1	ASSY, HOOK, S319CN, 7-1/2 SWL, M-2537-A
4	M2526AP1	1	YOKE, HOOK BLOCK, D, 2 ROPE
3	M2526AP2	2	GUARD, HB, D, 2 ROPE
2	FS315	9	WASHER,L,3/8, PLAIN
1	FS129	9	SCREW,HHCS,3/8-16x1,GR2,PLAIN
ITEM #	PART NO.	QTY	DESCRIPTION

* Note: The Latch Kit, (item #11) is provided on the Hook Assembly (Item #5). The Latch Kit is also available for individual purchase.
 ** For hook blocks with a heat shield, use P531-P32