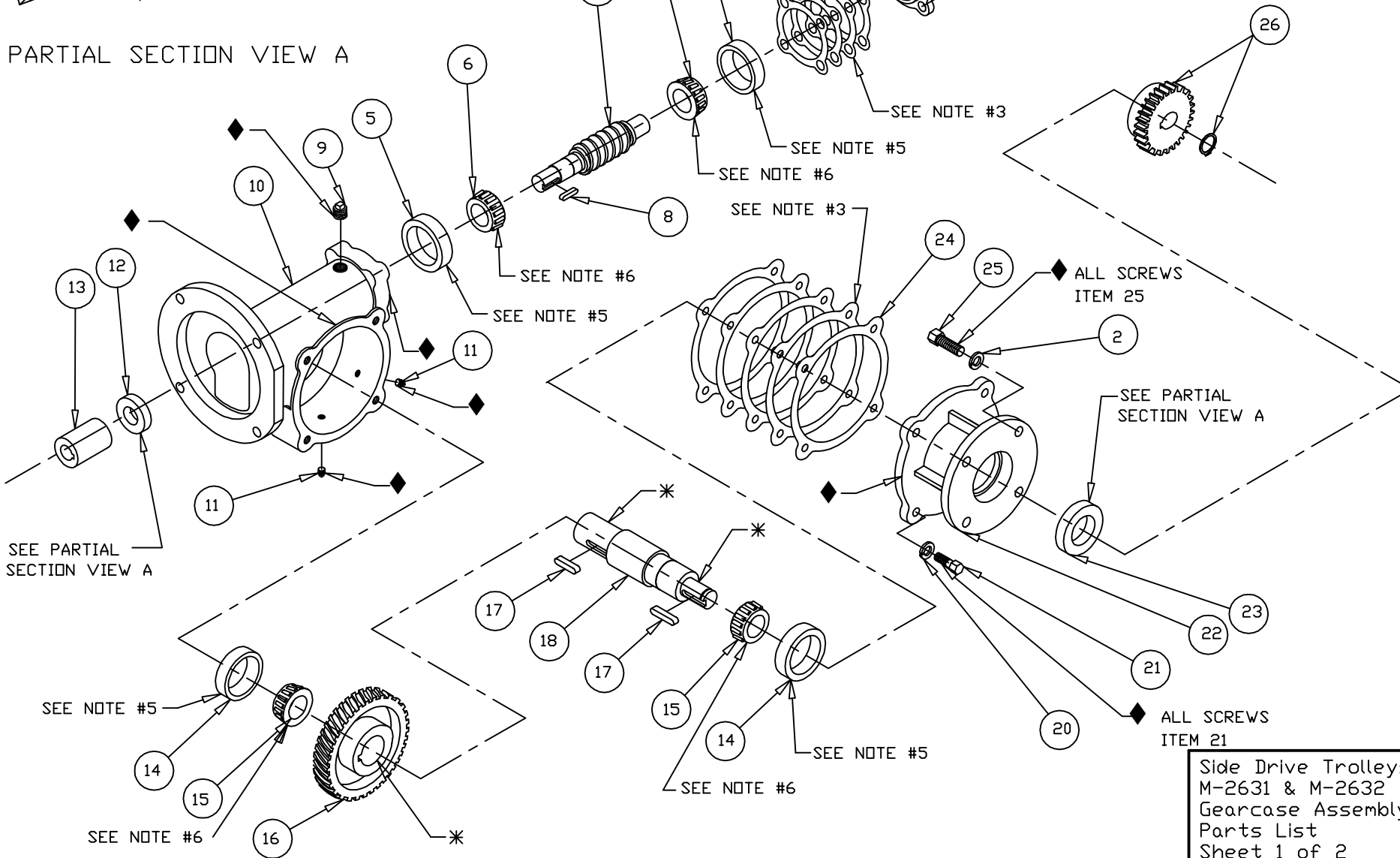
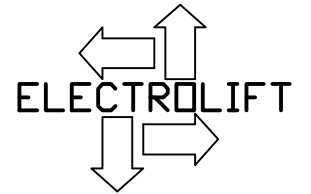


PARTIAL SECTION VIEW A



***Note:**

Item #10 on Sheet 1 (P423) is a RIGHT-HAND Gearcase. If your Gearcase appears opposite, it is a LEFT-HAND Gearcase Part # P-424



Customer Service
1-800-338-9951

26	KK3192	1	PINION, TROLLEY, M2631 AND M2632	☒SEE NOTE E
25	FS130	4	SCREW,HHCS,3/8-16x1-1/4, GR2,PLAIN	☒SEE NOTE A
24	K10751	1	KIT, SHIM, SDT-M, SIDE COVER	
23	DM7035	1	SEAL, SHAFT, 1.25 ID, 2.12 OD	☒SEE NOTE C
22	M2872	1	BRACKET, MTG, GEAR CASE, SDT	
21	FS122	4	SCREW,HHCS,5/16-18x7/8, GR2,PLAIN	☒SEE NOTE A
20	FS312	4	WASHER,L,5/16 , PLAIN	☒SEE NOTE A
19	N/A	--	----	
18	K3243	1	SHAFT, SPEED REDUCER OUTPUT, M2631 AND M2632	
17	K10846P3	2	KEY, 1/4x1/4, 1-1/8, K4005, M2693	
16	----	1	WORM WHEEL, JOB SPECIFIC	---- SEE NOTE #7
15	DM7213	2	BEARING, TRB, CONE, 1.25 ID	☒SEE NOTE B
14	DM7214	2	BEARING, TRB, CUP, 2.31 OD	☒SEE NOTE B
13	----	1	SLEEVE, SPEED REDUCER	---- SEE NOTE #7
12	DM7034	1	SEAL, SHAFT, .75 ID, 1.50 OD	☒SEE NOTE C
11	FS336	2	PIPEPLUG,1/8 SQHD,CAST IRON, SOLID	☒SEE NOTE A
* 10	P423	1	GEAR CASE, TROLLEY, SDT, RH (SDT)	---- SEE NOTE #8
9	FS339	1	PIPEPLUG,1/8 SQHD,STEEL,HOLE W/ VENT	☒SEE NOTE A
8	K10845P3	1	KEY, 3/16x3/16, 1-11/16	
7	----	1	WORM SHAFT, JOB SPECIFIC	---- SEE NOTE #7
6	DM7211	2	BEARING, TRB, CONE, .75 ID	☒SEE NOTE B
5	DM7212	2	BEARING, TRB, CUP, 2.12 OD	☒SEE NOTE B
4	K10752	1	KIT, SHIM, SDT-M, END COVER	
3	K960	1	COVER, END, GEAR CASE, M	
2	FS315	8	WASHER,L,3/8, PLAIN	☒SEE NOTE A
1	FS466	4	SCREW,HHCS,3/8-16x7/8, GR2,PLAIN	☒SEE NOTE A
ITEM #	PART #	QTY	DESCRIPTION	

BILL OF MATERIALS

NOTES:

- 1) * - APPLY ANTISEIZE COMPOUND
- 2) ◆ - APPLY PERMATEx ULTRACOPPER SEALANT
- 3) USE THE SAME AMOUNT AND COLOR OF SHIMS AS ORIGINAL SET.
- 4) OIL CAPACITY 8 OZ. EXXON CYLESSTIC TK680 OR EQUIV. E/L P/N DM7146 MOBIL SHC 634 OR EQUIV. (SYNTHETIC) E/L P/N DM7381
- 5) PRESS ITEM INTO MATING HOUSING OR COVER
- 6) TO BE PRESSED ON MATING SHAFT
- 7.) WORM WHEEL & WORM SHAFT IDENTIFICATION CHART:

NO. OF TEETH	RATIO	WORM WHEEL P/N	WORM SHAFT P/N	USE WITH SPEED REDUCER SLEEVE
40	40	K958A	K957	K3271A
47	24	K3245AP6	K3244P6	K3271
33	16	K3245AP5	K3244P5	K3271
35	12	K3245AP4	K3244P4	K3271
39	10	K3245P3	K3244P3	K3271
33	8	K3245P2	K3244P2	K3271
35	6	K3245P1	K3244P1	K3271

☒ KIT NOTES:

- A) THIS PART CAN ONLY BE ORDERED AS PART OF GEARCASE HARDWARE KIT #K11269.
- B) THIS PART CAN ONLY BE ORDERED AS PART OF GEARCASE BEARING KIT #K11164.
- C) THIS PART CAN ONLY BE ORDERED AS PART OF GEARCASE SEAL KIT #K11165.
- D) FOR BOTH SEALS & SHIMS, ORDER SEAL & SHIM KIT #K11283.

- E) PINION KITS CONSISTS OF :
- a. K3192 PINION
 - b. DM7358, RET. RING, EXT, .693 ID, .042 THICK

Side Drive Trolleys
M-2631 & M-2632
Gearcase Assembly
Parts List
Sheet 2 of 2