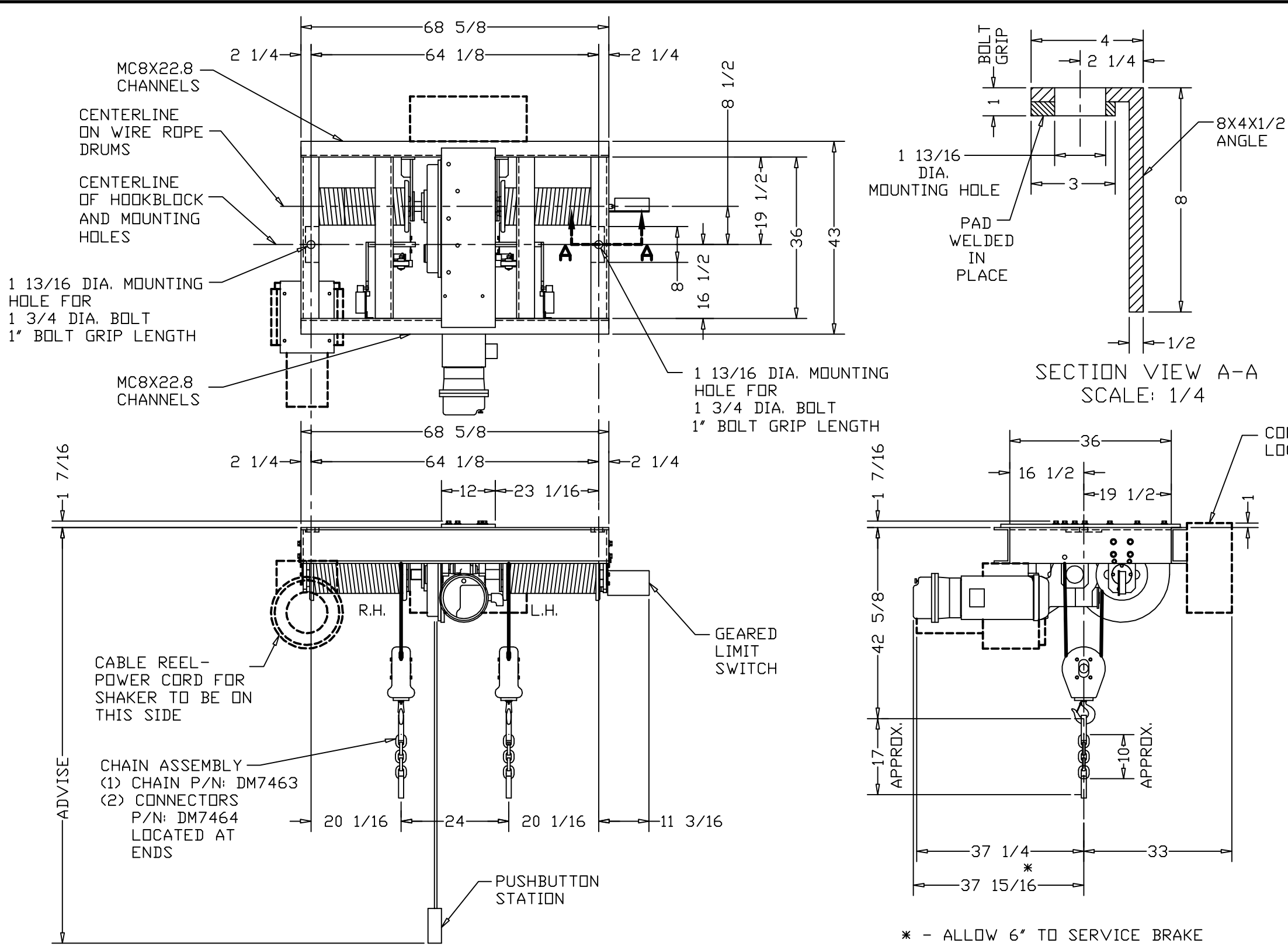
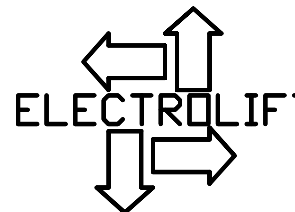


ISSUE 1  
10/24/07

ISSUE 2  
2/28/08

CAPACITY - 12,000 LBS  
SPEED - 12 FPM  
LIFT - 40 FT  
REEVING - 2 PART SINGLE  
PRIMARY VOLTAGE - 460/3/60  
SECONDARY VOLTAGE - 115/1/60  
HOIST MOTOR FLA - 10.1A  
TROLLEY MOTOR FLA - 1.5A  
HOIST BRAKE CURRENT RATING - .2A





ELECTROLIFT, INC.  
204 SARGEANT AVE.  
CLIFTON, NJ 07013  
PH: 973-471-0204  
FAX: 973-471-2814  
www.electrolift.com

REV.	ECO#	DATE	BY:

HOIST TYPE: BC-3P CAR SHAKER

CONFIGURATION: LUG MOUNTED  
CLASS II, DIV. I, GROUP F

DATE: 10/24/07	SCALE: 1/25	DWG SIZE: B	DRAWN BY: AR
-------------------	----------------	----------------	-----------------

CATALOG NO.: 869-LG	DRAWING NO.: CS-104
------------------------	------------------------