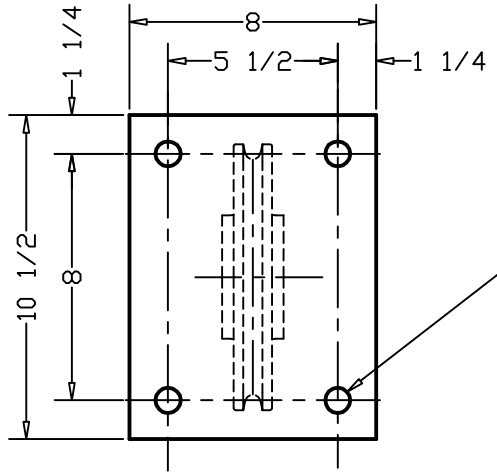


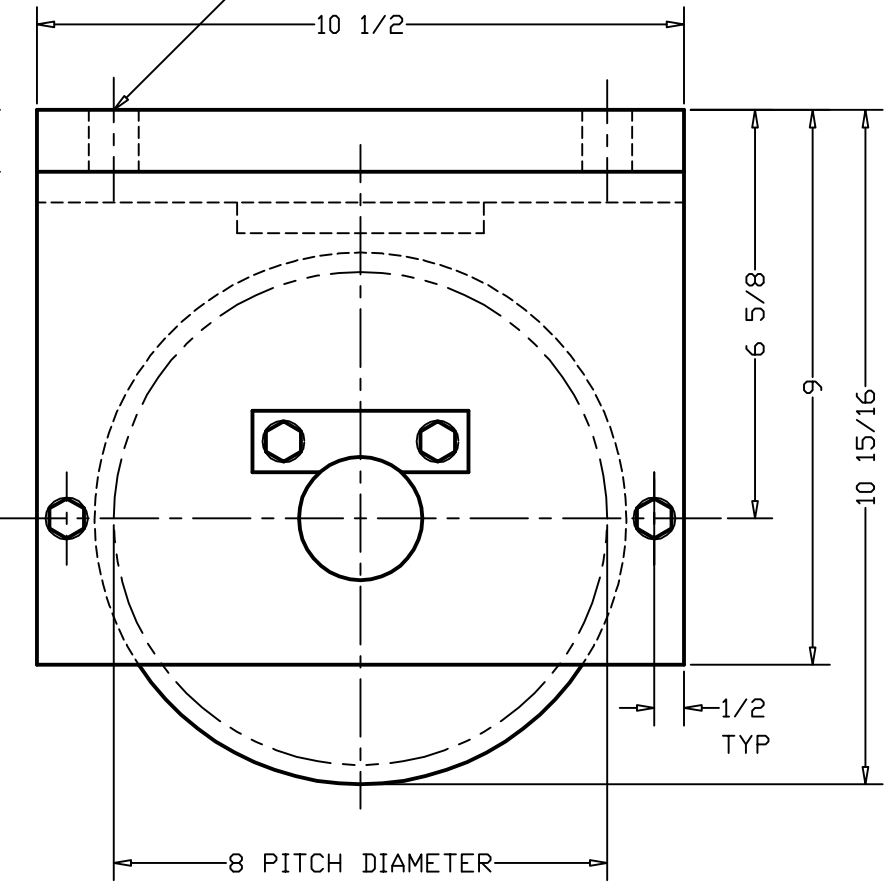
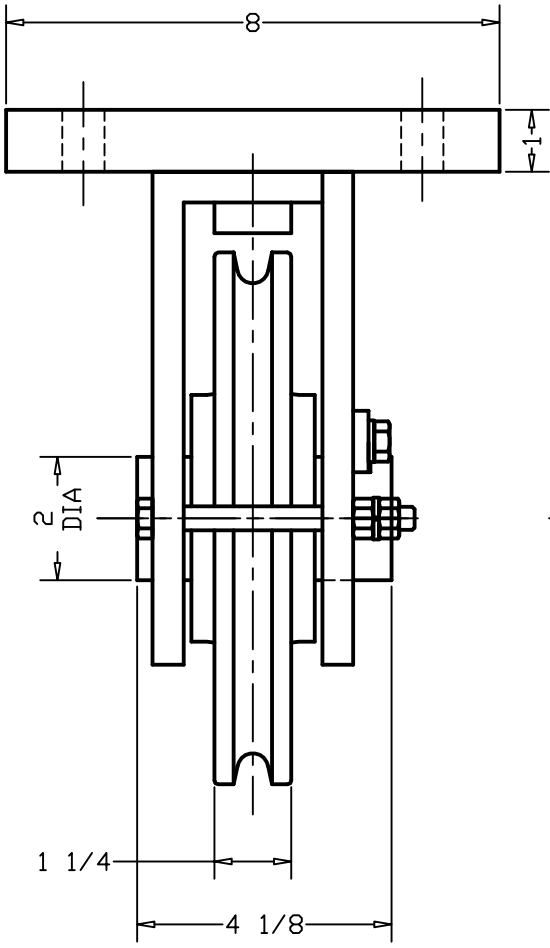
8" PITCH DIAMETER SHEAVE & BRACKET ASSEMBLY MOUNTING PLATE

**TOP VIEW
BOLT PATTERN**
SCALE : 1/6



13/16 DIA
(4) PLACES

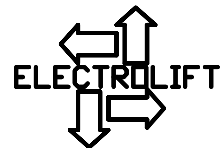
13/16 DIA
(4) PLACES



**SHEAVE
SPECIFICATIONS:**

- 1. WIRE ROPE:**
FOR USE WITH 3/8" OR 7/16"
DIAMETER WIRE ROPE
- 2. PITCH DIAMETER**
8" P.D.
- 3. MATERIAL:**
 CAST IRON
STANDARD OPTION

 STEEL
- 4. BEARING:**
BRONZE BEARING
SUITABLE FOR GENERAL
PURPOSE MATERIAL
HANDLING



ELECTROLIFT, INC.
204 SARGEANT AVE.
CLIFTON, NJ 07013
PH: 973-471-0204
FAX: 973-471-2814
www.electrolift.com

REV.	ECO#	DATE	BY:
SHEAVE & BRACKET ASSEMBLY PART NUMBER:			
K2030D			
DATE:	SCALE:	DWG SIZE:	DRAWN BY:
2/27/08	1/3	A	DR

DRAWING NO:
K2030D-WPDF