

- SPACER  
(IF REQUIRED)
- HEAVY HEX JAM NUT,  
1 3/4-5
- HEAVY HEX NUT,  
1 3/4-5
- COTTER PIN,  
1/4x4

# CAPACITY 10,000 LBS.

INFORMATION REQUIRED  
SEE SHEET 2 FOR SPECIFICATIONS

TRACK SIZE:

\_\_\_\_\_

FLANGE WIDTH:

\_\_\_\_\_

FLANGE THICKNESS:

\_\_\_\_\_

HARDENED WHEELS:

- NO
- YES

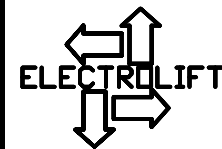
DIMENSION "A": \_\_\_\_\_

SPACER REQUIRED:

NO

YES

DIMENSION "B": \_\_\_\_\_



ELECTROLIFT, INC.  
204 SARGEANT AVE.  
CLIFTON, NJ 07013  
PH: 973-471-0204  
FAX: 973-471-2814  
www.electrolift.com

REV.	ECO#	DATE	BY:
IDLER TROLLEY PART NUMBER: M1188B			
DATE: 12/12/07	SCALE: NONE	DWG SIZE: A	DRAWN BY: DR
DRAWING NO: M1188B-WPDF			
SHEET 1 OF 2			

**CAPACITY  
10,000 LBS.**

**SPECIFICATIONS**

PROVIDE SHEET 1 TO ELECTROLIFT

**GENERAL NOTES:**

1. CAPACITY OF TROLLEY IS NOT TO BE EXCEEDED
2. FACTOR OF SAFETY 5 TO 1 MINIMUM
3. VISTA GREEN ENAMAL PAINT STANDARD
4. NOT DESIGNED FOR TRAVERSING TRACKS WITH A RADIUS.
5. CONSULT ELECTROLIFT'S SALES DEPARTMENT FOR ADDITIONAL FEATURES

**WHEEL ASSEMBLY**

STANDARD HARDNESS:  
BRINELL 143/ROCKWELL B78  
OPTIONAL HARDENED WHEEL:  
BRINELL 475/ROCKWELL C50  
BEARING L10HR LIFE:  
8039 HRS HRS AT 50 FPM

**TRACK TYPE**

S-BEAM TRACK: CURVED PROFILE AS SHOWN  
W-BEAM TRACK: FLAT PROFILE PROVIDED  
PATENTED TRACK: SEE TROLLEY M1188C

**SPACER LENGTH**

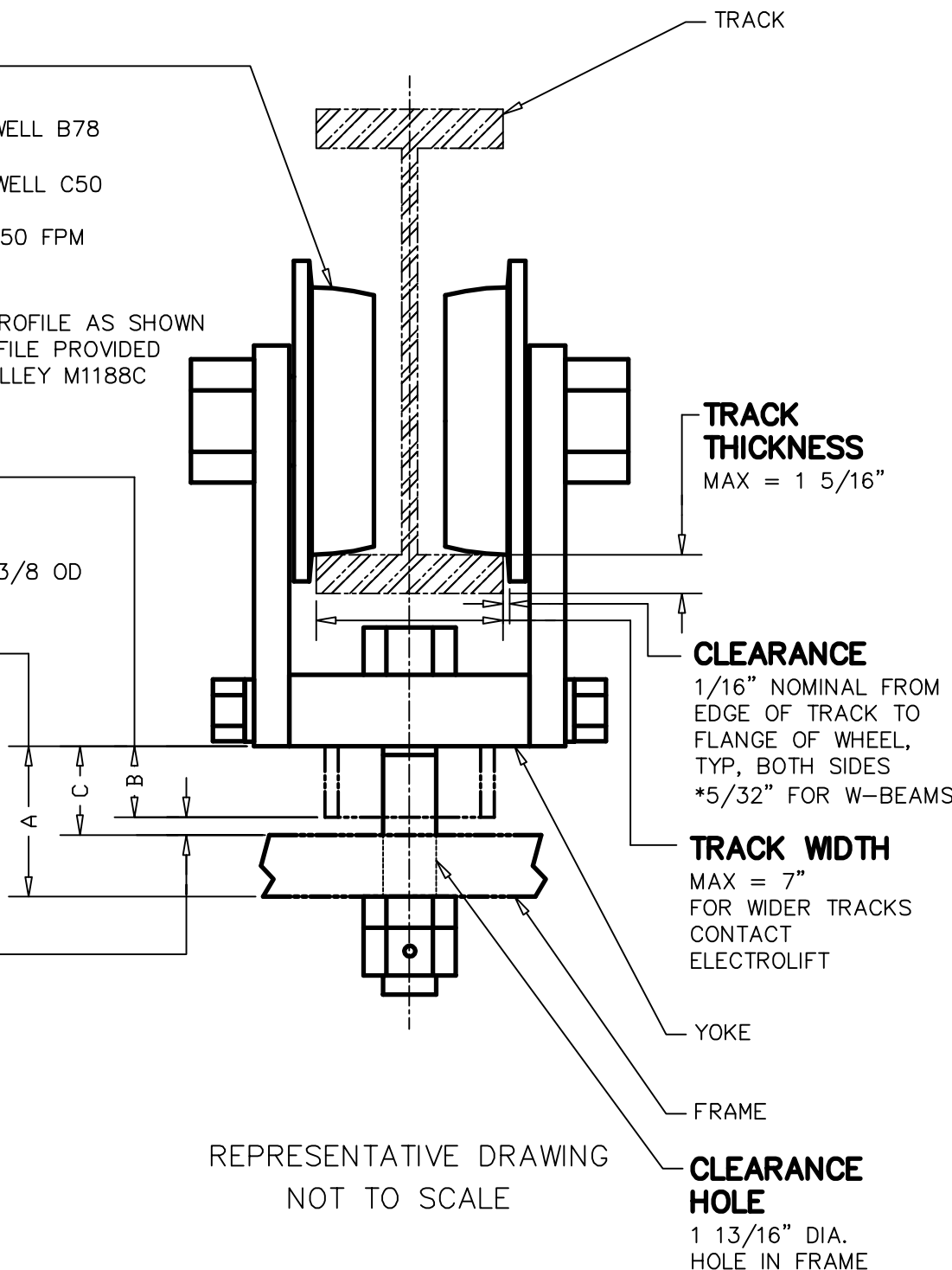
REQUIRED IF DIMENSION "C"  
EXCEEDS 1/2"  
MATERIAL = TUBING, 2 IDx2-3/8 OD

**BOLT SPAN**

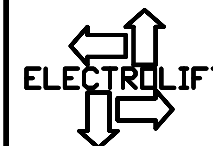
2 3/4" MAX.  
FOR LARGER DIMENSIONS,  
CONTACT  
ELECTROLIFT

**GAP**

1/8" MIN. GAP REQUIRED  
FROM BOTTOM OF YOKE  
OR SPACER TO BOTTOM  
OF FRAME



REPRESENTATIVE DRAWING  
NOT TO SCALE



ELECTROLIFT, INC.  
204 SARGEANT AVE.  
CLIFTON, NJ 07013  
PH: 973-471-0204  
FAX: 973-471-2814  
www.electrolift.com

REV.	ECO#	DATE	BY:
IDLER TROLLEY PART NUMBER: M1188B			
DATE: 12/12/07	SCALE: NONE	DWG SIZE: A	DRAWN BY: DR
DRAWING NO: M1188B-WPDF			
SHEET 2 OF 2			