

TROLLEY INFORMATION REQUIRED:

MOTOR VOLTAGE:

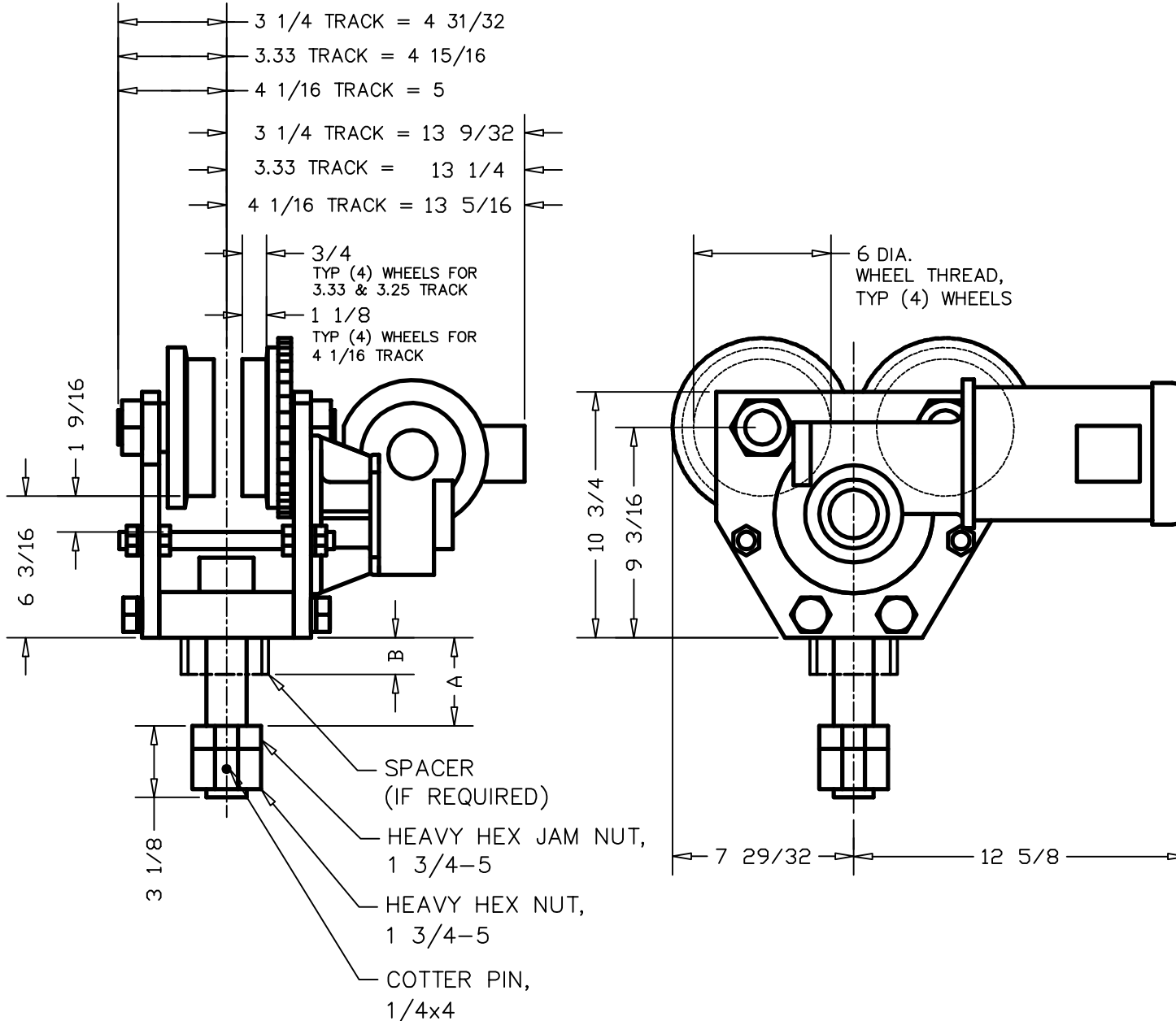
- 208 VOLTS
 230 VOLTS
 460 VOLTS

TROLLEY SPEED:

- 32 FPM
 53 FPM
 80 FPM
 106 FPM

CAPACITY
12,000 LBS.

INFORMATION REQUIRED
SEE SHEET 2 FOR SPECIFICATIONS



TRACK SIZE: _____

FLANGE WIDTH: _____

FLANGE THICKNESS: _____

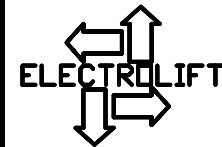
DIMENSION "A": _____

SPACER REQUIRED:

NO

YES

DIMENSION "B": _____



ELECTROLIFT, INC.
 204 SARGEANT AVE.
 CLIFTON, NJ 07013
 PH: 973-471-0204
 FAX: 973-471-2814
 www.electrolift.com

REV.	ECO#	DATE	BY:
SIDE DRIVEN TROLLEY PART NUMBER: M2630C			
DATE: 12/12/07	SCALE: NONE	DWG SIZE: A	DRAWN BY: DR
DRAWING NO: M2630C-WPDF			
SHEET 1 OF 2			

WHEEL ASSEMBLY

STANDARD HARDENED WHEEL:
BRINELL 475/ROCKWELL C50
BEARING L10HR LIFE:
18,849 HRS AT 53 FPM

TRACK TYPE

PATENTED TRACKS: FLAT PROFILE AS SHOWN
S-BEAM TRACK: SEE TROLLEY M2630B
W-BEAM TRACK: SEE TROLLEY M2630B

SPACER LENGTH

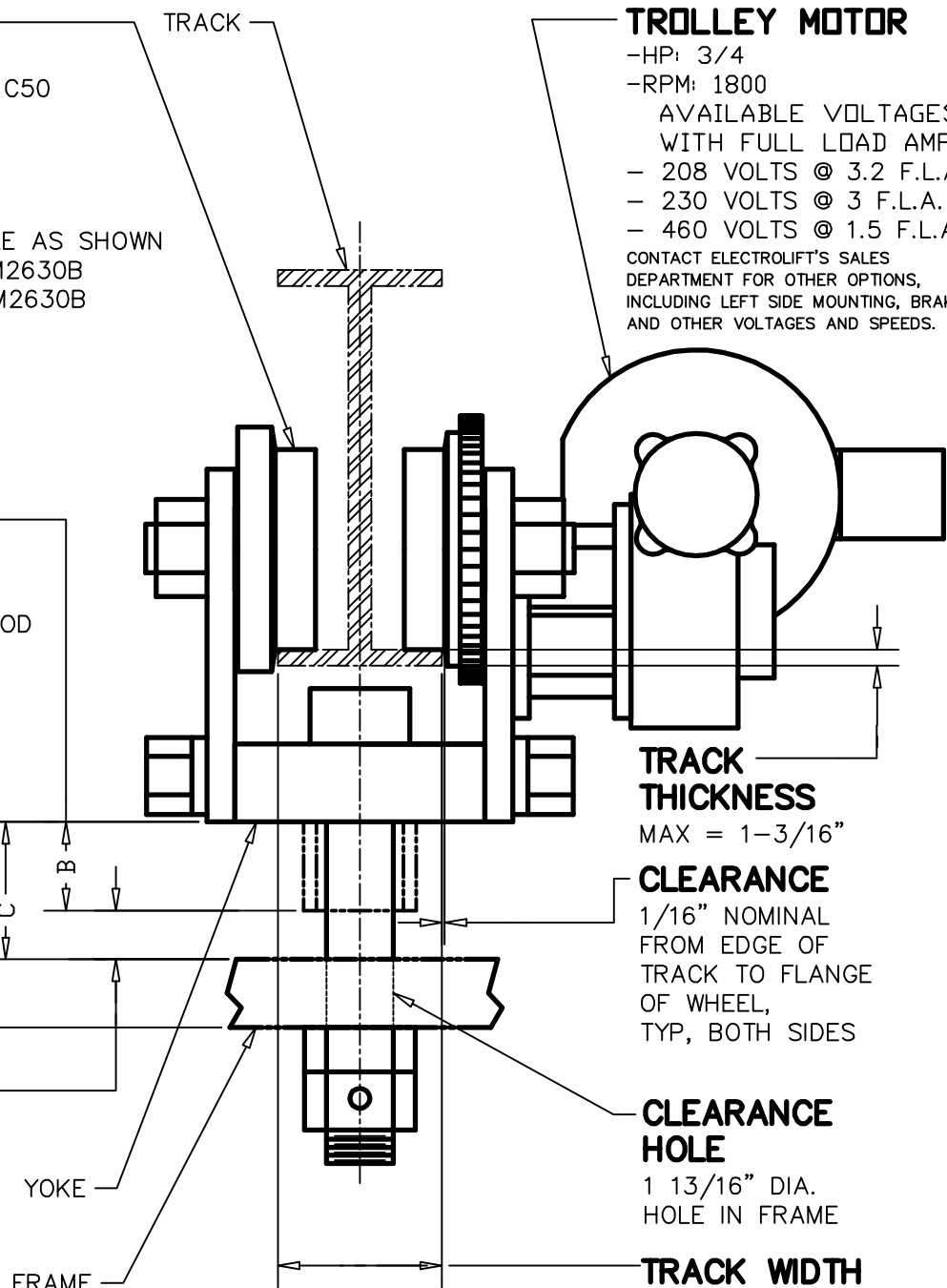
REQUIRED IF DIMENSION "C"
EXCEEDS 1/2"
MATERIAL = TUBING, 2 IDx2-3/8 OD

BOLT SPAN

3 1/4" MAX
FOR LARGER
DIMENSIONS,
CONTACT
ELECTROLIFT

GAP

1/8" MIN. GAP REQUIRED
FROM BOTTOM OF YOKE
OR SPACER TO BOTTOM
OF FRAME



TROLLEY MOTOR

-HP: 3/4
-RPM: 1800
AVAILABLE VOLTAGES
WITH FULL LOAD AMPS:
- 208 VOLTS @ 3.2 F.L.A.
- 230 VOLTS @ 3 F.L.A.
- 460 VOLTS @ 1.5 F.L.A.
CONTACT ELECTROLIFT'S SALES
DEPARTMENT FOR OTHER OPTIONS,
INCLUDING LEFT SIDE MOUNTING, BRAKES
AND OTHER VOLTAGES AND SPEEDS.

**CAPACITY
12,000 LBS.**

SPECIFICATIONS

PROVIDE SHEET 1 TO ELECTROLIFT

TROLLEY SPEEDS

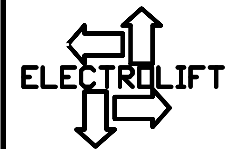
AVAILABLE ON STANDARD 3/4 HP
1800 RPM MOTOR:

- 32 FPM
- 53 FPM
- 80 FPM
- 106 FPM

CONTACT ELECTROLIFT'S SALES
DEPARTMENT FOR OTHER
AVAILABLE SPEEDS

GENERAL NOTES:

1. CAPACITY OF TROLLEY IS NOT TO BE EXCEEDED
2. FACTOR OF SAFETY 5 TO 1 MINIMUM
3. VISTA GREEN ENAMAL PAINT STANDARD
4. NOT DESIGNED FOR TRAVERSING TRACKS WITH A RADIUS.
5. CONSULT ELECTROLIFT'S SALES DEPARTMENT FOR ADDITIONAL FEATURES



ELECTROLIFT, INC.
204 SARGEANT AVE.
CLIFTON, NJ 07013
PH: 973-471-0204
FAX: 973-471-2814
www.electrolift.com

REV.	ECO#	DATE	BY:
SIDE DRIVEN TROLLEY PART NUMBER: M2630C			
DATE: 12/12/07	SCALE: NONE	DWG SIZE: A	DRAWN BY: DR

DRAWING NO:
M2630C-WPDF
SHEET 2 OF 2

REPRESENTATIVE DRAWING
NOT TO SCALE

TRACK WIDTH
MAX = 4 1/16"
FOR WIDER TRACKS
CONTACT
ELECTROLIFT

CLEARANCE
1/16" NOMINAL
FROM EDGE OF
TRACK TO FLANGE
OF WHEEL,
TYP, BOTH SIDES

TRACK THICKNESS
MAX = 1-3/16"

CLEARANCE HOLE
1 13/16" DIA.
HOLE IN FRAME