

TROLLEY INFORMATION REQUIRED:

MOTOR VOLTAGE:

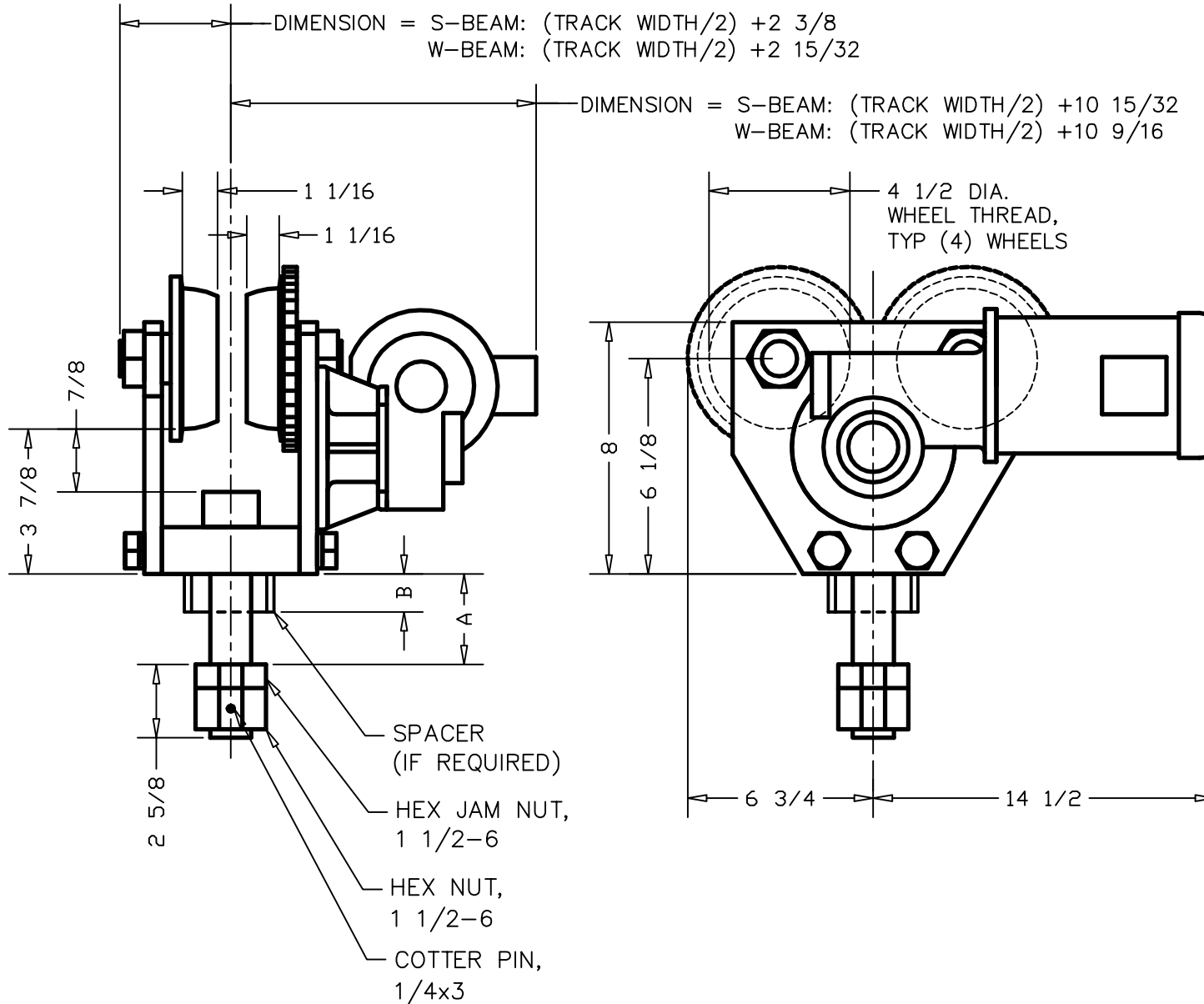
208 VOLTS 230 VOLTS 460 VOLTS

TROLLEY SPEED:

21 FPM 35 FPM 53 FPM 70 FPM
 84 FPM 106 FPM 141 FPM

**CAPACITY
6000 LBS.**

INFORMATION REQUIRED
SEE SHEET 2 FOR SPECIFICATIONS



TRACK SIZE: _____

FLANGE WIDTH: _____

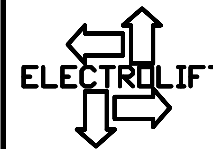
FLANGE THICKNESS: _____

HARDENED WHEELS:
 NO
 YES

DIMENSION "A": _____

SPACER REQUIRED:
 NO
 YES

DIMENSION "B": _____



ELECTROLIFT, INC.
204 SARGEANT AVE.
CLIFTON, NJ 07013
PH: 973-471-0204
FAX: 973-471-2814
www.electrolift.com

REV.	ECO#	DATE	BY:
SIDE DRIVEN TROLLEY PART NUMBER: M2631B			
DATE: 12/12/07	SCALE: NONE	DWG SIZE: A	DRAWN BY: DR

DRAWING NO:
M2631B-WPDF
SHEET 1 OF 2

WHEEL ASSEMBLY

STANDARD HARDNESS:
 BRINELL 143/ROCKWELL B78
 OPTIONAL HARDENED WHEEL:
 BRINELL 475/ROCKWELL C50
 BEARING L10HR LIFE:
 77,384 HRS AT 53 FPM

TRACK TYPE

S-BEAM TRACK: CURVED PROFILE AS SHOWN
 W-BEAM TRACK: FLAT PROFILE PROVIDED
 PATENTED TRACK: SEE TROLLEY M2631C

SPACER LENGTH

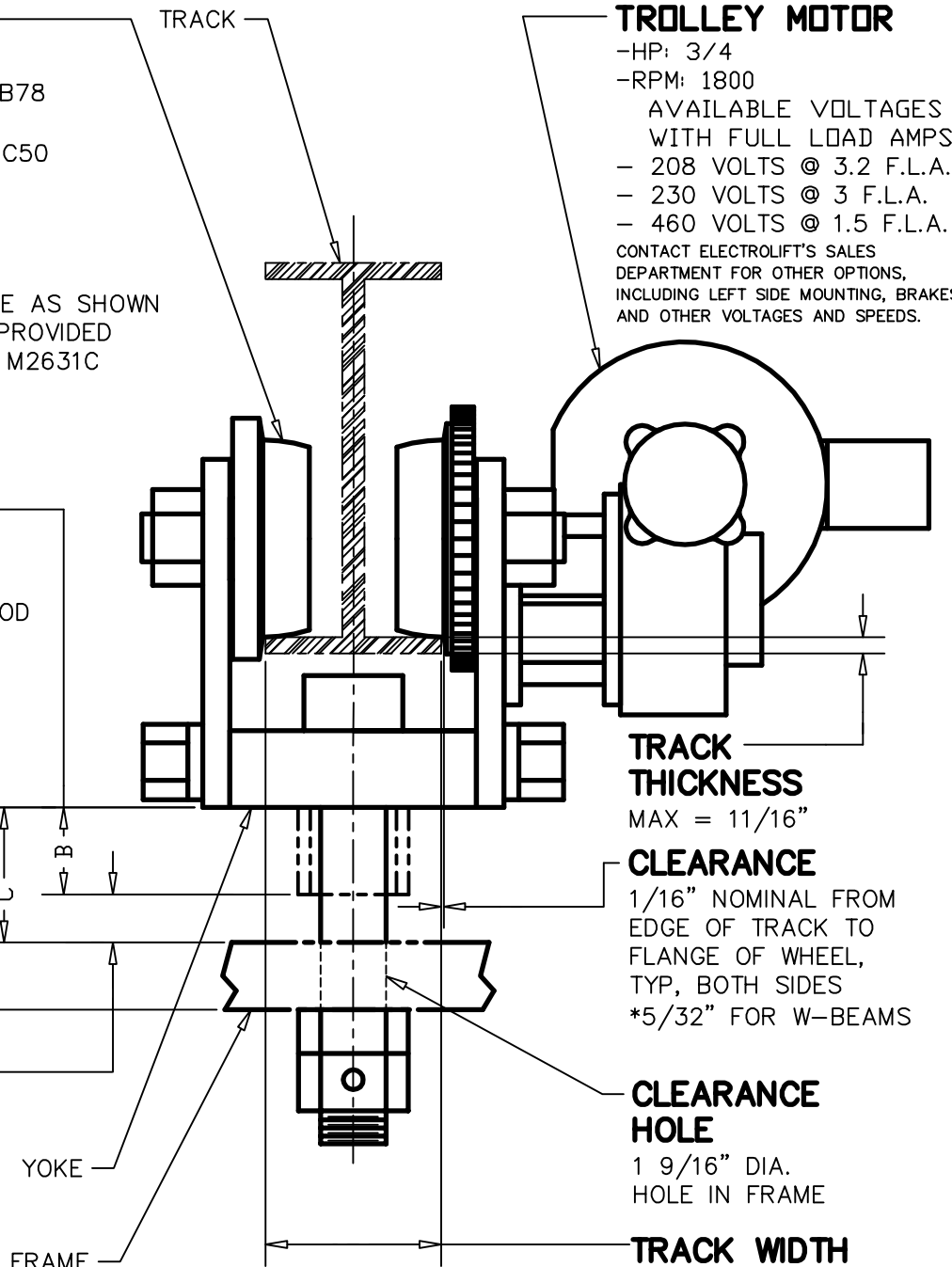
REQUIRED IF DIMENSION "C"
 EXCEEDS 1/2"
 MATERIAL = TUBING, 2 IDx2-3/8 OD

BOLT SPAN

5 7/16" MAX
 FOR LARGER
 DIMENSIONS,
 CONTACT
 ELECTROLIFT

GAP

1/8" MIN. GAP REQUIRED
 FROM BOTTOM OF YOKE
 OR SPACER TO BOTTOM
 OF FRAME



TROLLEY MOTOR

-HP: 3/4
 -RPM: 1800
 AVAILABLE VOLTAGES
 WITH FULL LOAD AMPS:
 - 208 VOLTS @ 3.2 F.L.A.
 - 230 VOLTS @ 3 F.L.A.
 - 460 VOLTS @ 1.5 F.L.A.
 CONTACT ELECTROLIFT'S SALES
 DEPARTMENT FOR OTHER OPTIONS,
 INCLUDING LEFT SIDE MOUNTING, BRAKES
 AND OTHER VOLTAGES AND SPEEDS.

**CAPACITY
 6000 LBS.**

SPECIFICATIONS

PROVIDE SHEET 1 TO ELECTROLIFT

TROLLEY SPEEDS

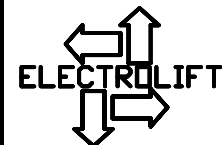
AVAILABLE ON STANDARD 3/4 HP
 1800 RPM MOTOR:

- 21 FPM 70 FPM
- 35 FPM 84 FPM
- 53 FPM 106 FPM
- 141 FPM

CONTACT ELECTROLIFT'S SALES
 DEPARTMENT FOR OTHER
 AVAILABLE SPEEDS

GENERAL NOTES:

1. CAPACITY OF TROLLEY IS NOT TO BE EXCEEDED
2. FACTOR OF SAFETY 5 TO 1 MINIMUM
3. VISTA GREEN ENAMEL PAINT STANDARD
4. NOT DESIGNED FOR TRAVERSING TRACKS WITH A RADIUS.
5. CONSULT ELECTROLIFT'S SALES DEPARTMENT FOR ADDITIONAL FEATURES



ELECTROLIFT, INC.
 204 SARGEANT AVE.
 CLIFTON, NJ 07013
 PH: 973-471-0204
 FAX: 973-471-2814
 www.electrolift.com

REV.	ECO#	DATE	BY:
SIDE DRIVEN TROLLEY PART NUMBER: M2631B			
DATE: 12/12/07	SCALE: NONE	DWG SIZE: A	DRAWN BY: DR
DRAWING NO: M2631B-WPDF			
SHEET 2 OF 2			

REPRESENTATIVE DRAWING
 NOT TO SCALE

TRACK WIDTH
 MAX = 7"
 FOR WIDER TRACKS
 CONTACT
 ELECTROLIFT

TRACK THICKNESS
 MAX = 11/16"
CLEARANCE
 1/16" NOMINAL FROM
 EDGE OF TRACK TO
 FLANGE OF WHEEL,
 TYP, BOTH SIDES
 *5/32" FOR W-BEAMS

CLEARANCE HOLE
 1 9/16" DIA.
 HOLE IN FRAME