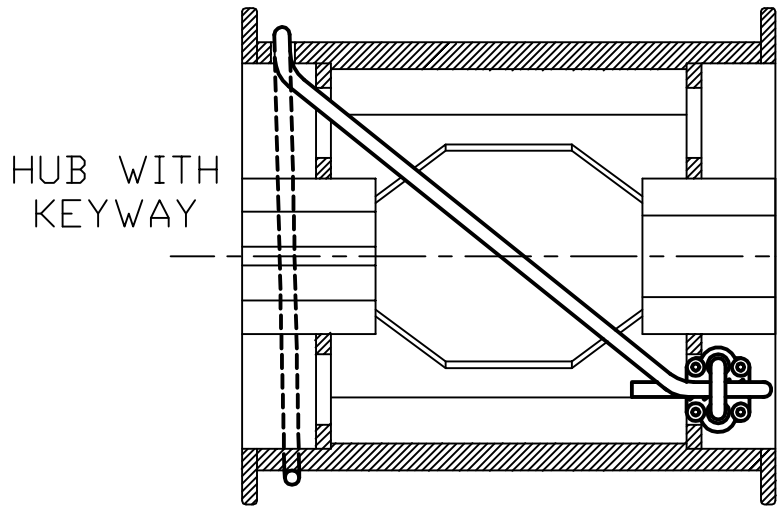


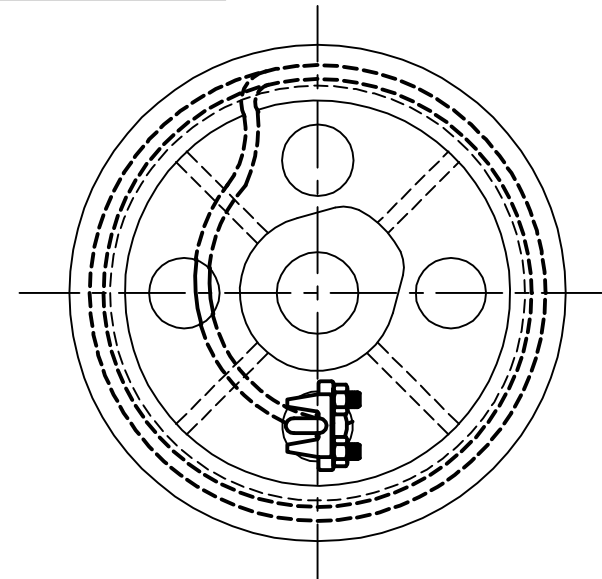
DEAD ENDING OF WIRE ROPE INSIDE ELECTRO LIFT DRUMS.



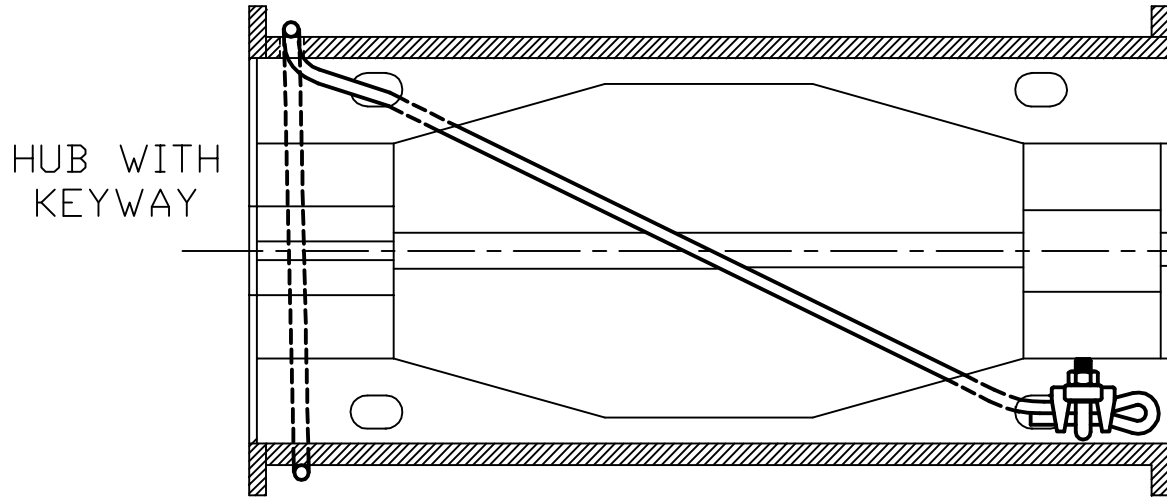
HUB WITH SET SCREW

HUB WITH KEYWAY

WIRE ROPE & CLIP MUST NOT EXTEND BEYOND END OF DRUM.

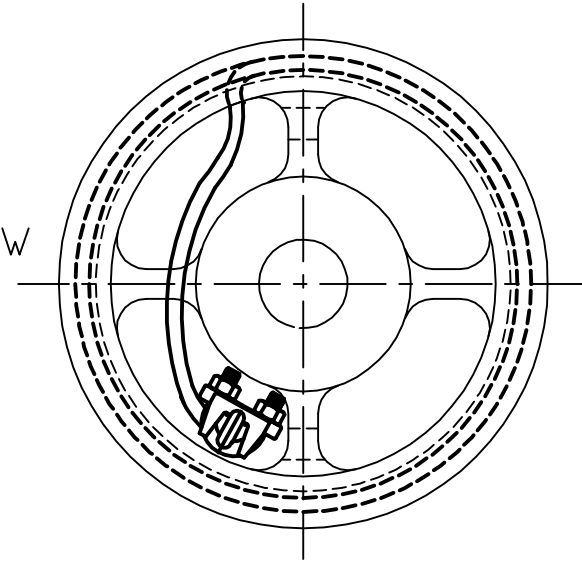


TYPE 1 DRUM - HOLES AT FLANGED ENDS.



HUB WITH SET SCREW

HUB WITH KEYWAY



TYPE 2 DRUM - SPOKES AT FLANGED ENDS.