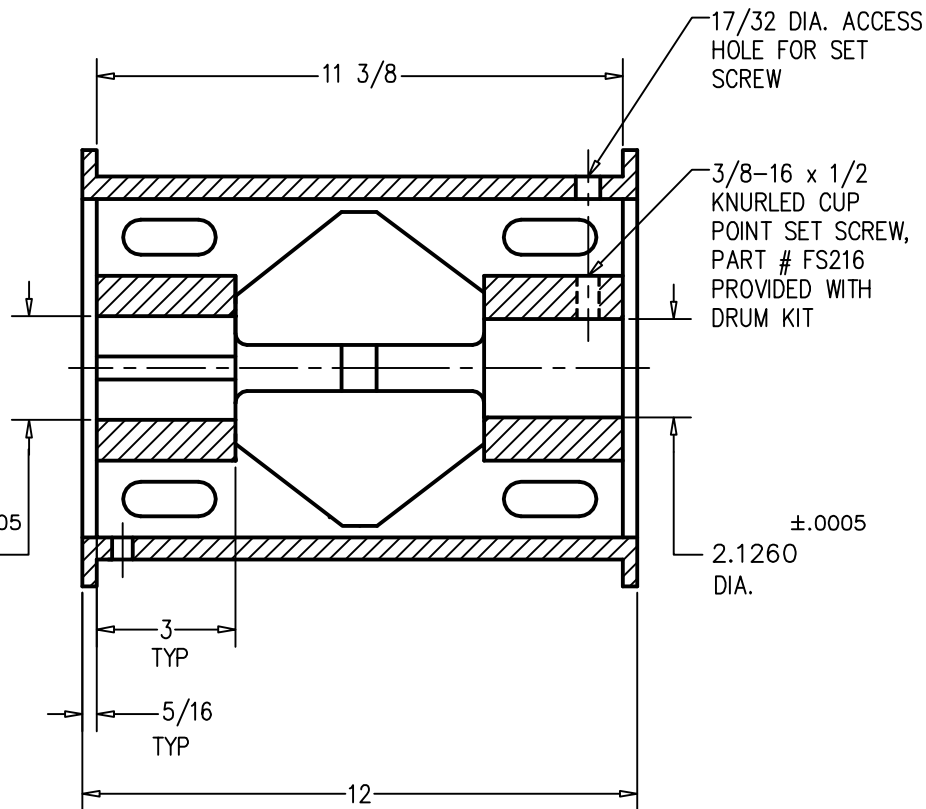


1/2x1/4 KEYWAY  
 KEY: 1/2 SQUARE x 2-5/8" LONG  
 MAT'L: 1018 CDS KEYSTOCK  
 PART # K10910P3  
 PROVIDED WITH DRUM KIT

±.0005  
 2.2460  
 DIA.



**SPECIFICATIONS:**

**1. WIRE ROPE:**

FOR USE WITH 3/8" OR 7/16" DIAMETER WIRE ROPE

**2. PITCH DIAMETER**

8-3/8" P.D.

**3. MATERIAL:**

CAST IRON

**4. GROOVING:**

NUMBER OF TURNS: 18-3/4

TURNS PER INCH: 2

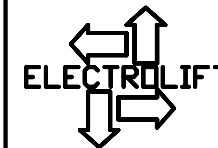
DIRECTION: LEFT HAND

**5. MAXIMUM LINE PULL:**

3750 LBS.

**BILL OF MATERIAL  
 KM338P1 DRUM KIT**

QTY	PART #	DESCRIPTION
1	M338P1	DRUM
1	K10910P3	KEY
1	FS216	SET SCREW



ELECTROLIFT, INC.  
 204 SARGEANT AVE.  
 CLIFTON, NJ 07013  
 PH: 973-471-0204  
 FAX: 973-471-2814  
 www.electrolift.com

REV.	ECO#	DATE	BY:
-	-	-	-
DRUM KIT PART NUMBER: KM338P1			
DATE: 7/30/08	SCALE: 1/4	DWG SIZE: A	DRAWN BY: DR

DRAWING NO.:

KM338P1-WPDF