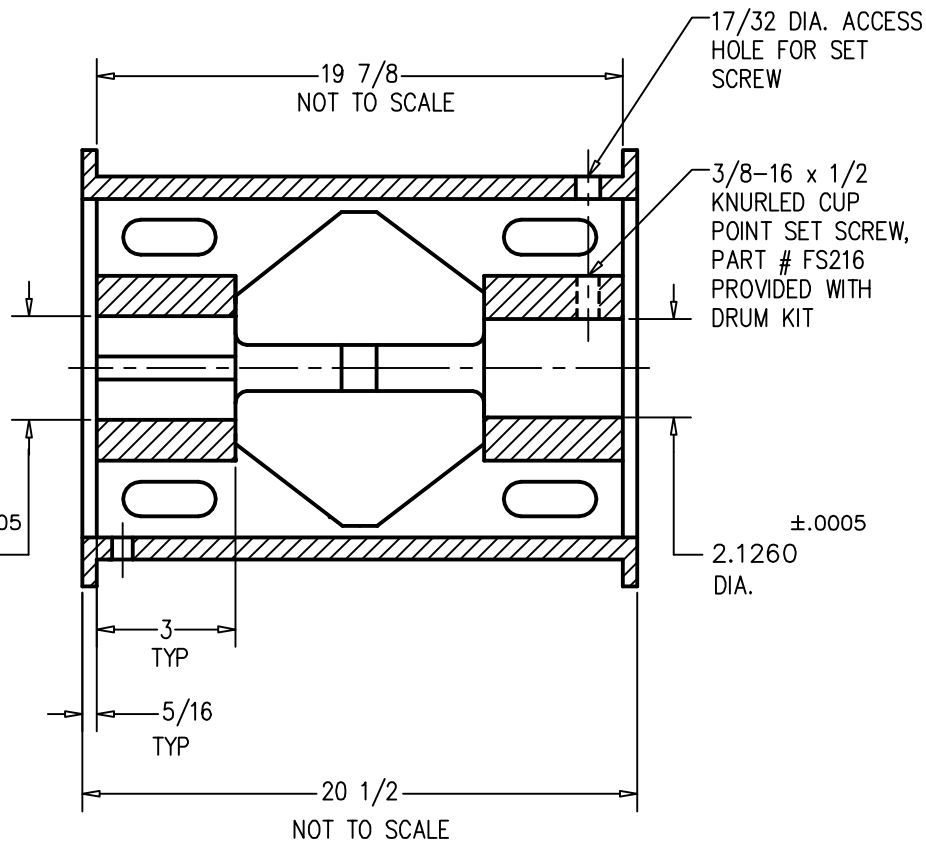


1/2x1/4 KEYWAY
 KEY: 1/2 SQUARE x 2-5/8" LONG
 MAT'L: 1018 CDS KEYSTOCK
 PART # K10910P3
 PROVIDED WITH DRUM KIT

±.0005
 2.2460
 DIA.



SPECIFICATIONS:

1. WIRE ROPE:

FOR USE WITH 3/8" OR 7/16" DIAMETER WIRE ROPE

2. PITCH DIAMETER

8-3/8" P.D.

3. MATERIAL:

CAST IRON

4. GROOVING:

NUMBER OF TURNS: 35-3/4

TURNS PER INCH: 2

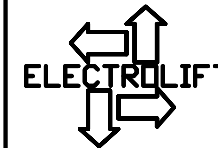
DIRECTION: RIGHT HAND

5. MAXIMUM LINE PULL:

3750 LBS.

**BILL OF MATERIAL
 KM358P2 DRUM KIT**

QTY	PART #	DESCRIPTION
1	M358P1	DRUM
1	K10910P3	KEY
1	FS216	SET SCREW



ELECTROLIFT, INC.
 204 SARGEANT AVE.
 CLIFTON, NJ 07013
 PH: 973-471-0204
 FAX: 973-471-2814
 www.electrolift.com

REV.	ECO#	DATE	BY:
-	-	-	-
DRUM KIT PART NUMBER: KM358P2			
DATE: 7/30/08	SCALE: 1/4	DWG SIZE: A	DRAWN BY: DR

DRAWING NO:
 KM358P2-WPDF