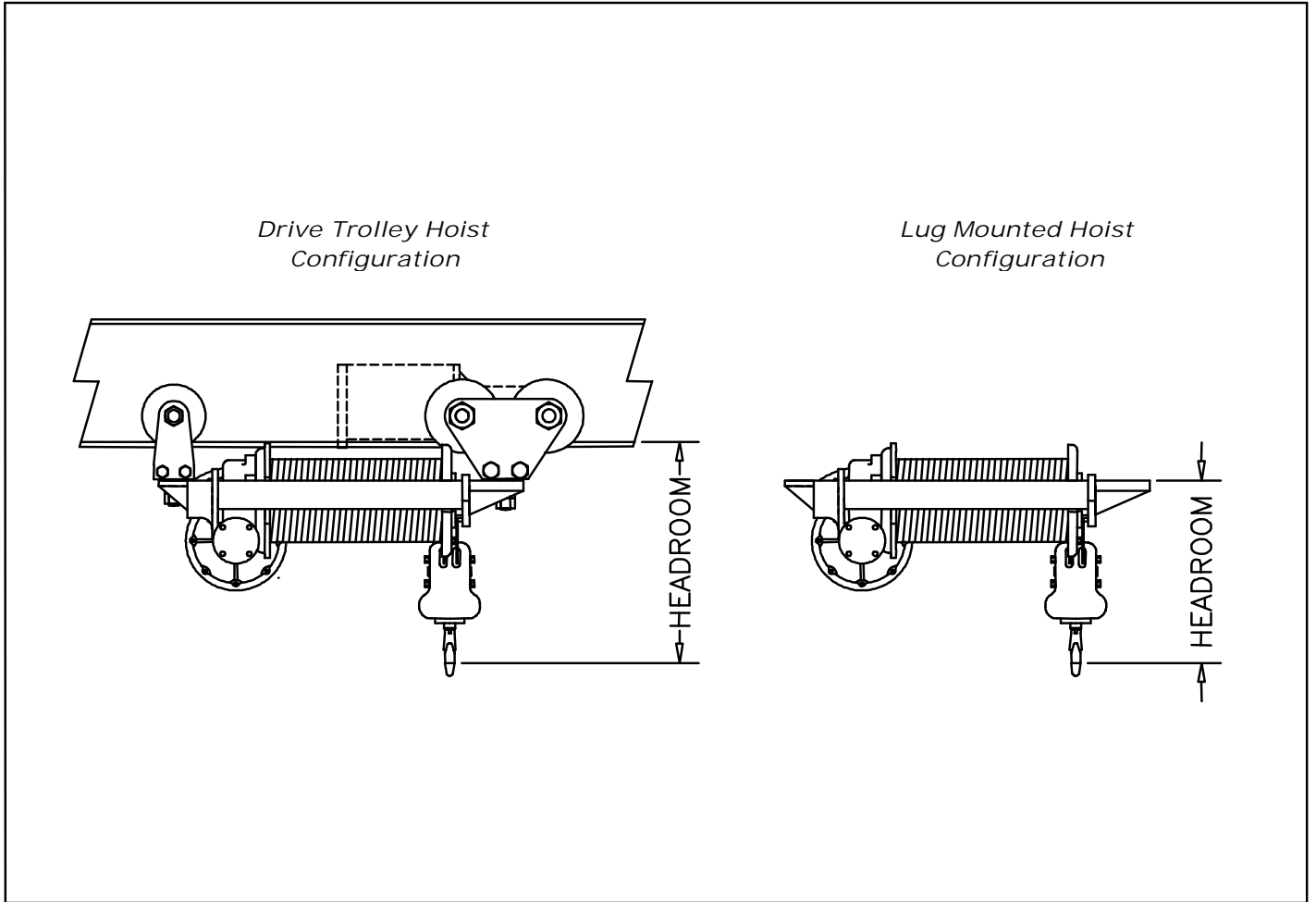


HEADROOM



Headroom is the vertical dimension from the mounting point of the hoist to the bearing point on the hook. The mounting point of a trolley-mounted hoist is the tread of the track. The mounting point of a lug-mounted hoist is where the surface gets fastened directly to another structure or frame.