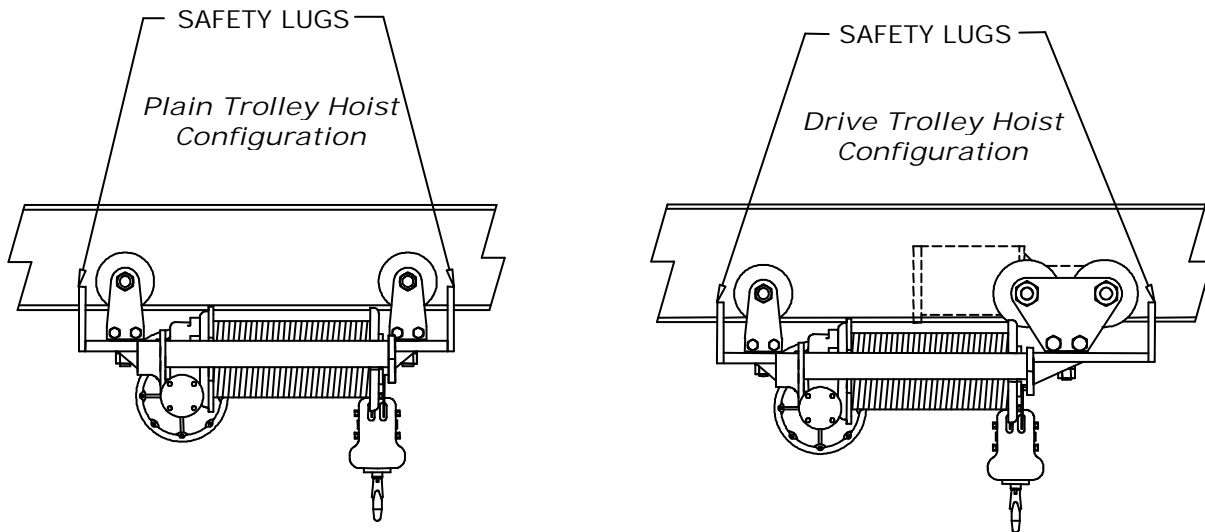


SAFETY LUGS

*Single Hook Hoist Configuration
Examples Shown*



Safety lugs protect against any type of wheel, axle, or kingpin failure. The safety lugs engage the bottom flange of the beam and prevents the hoist from falling. Safety lugs are required by ANSI in all hot metal applications.