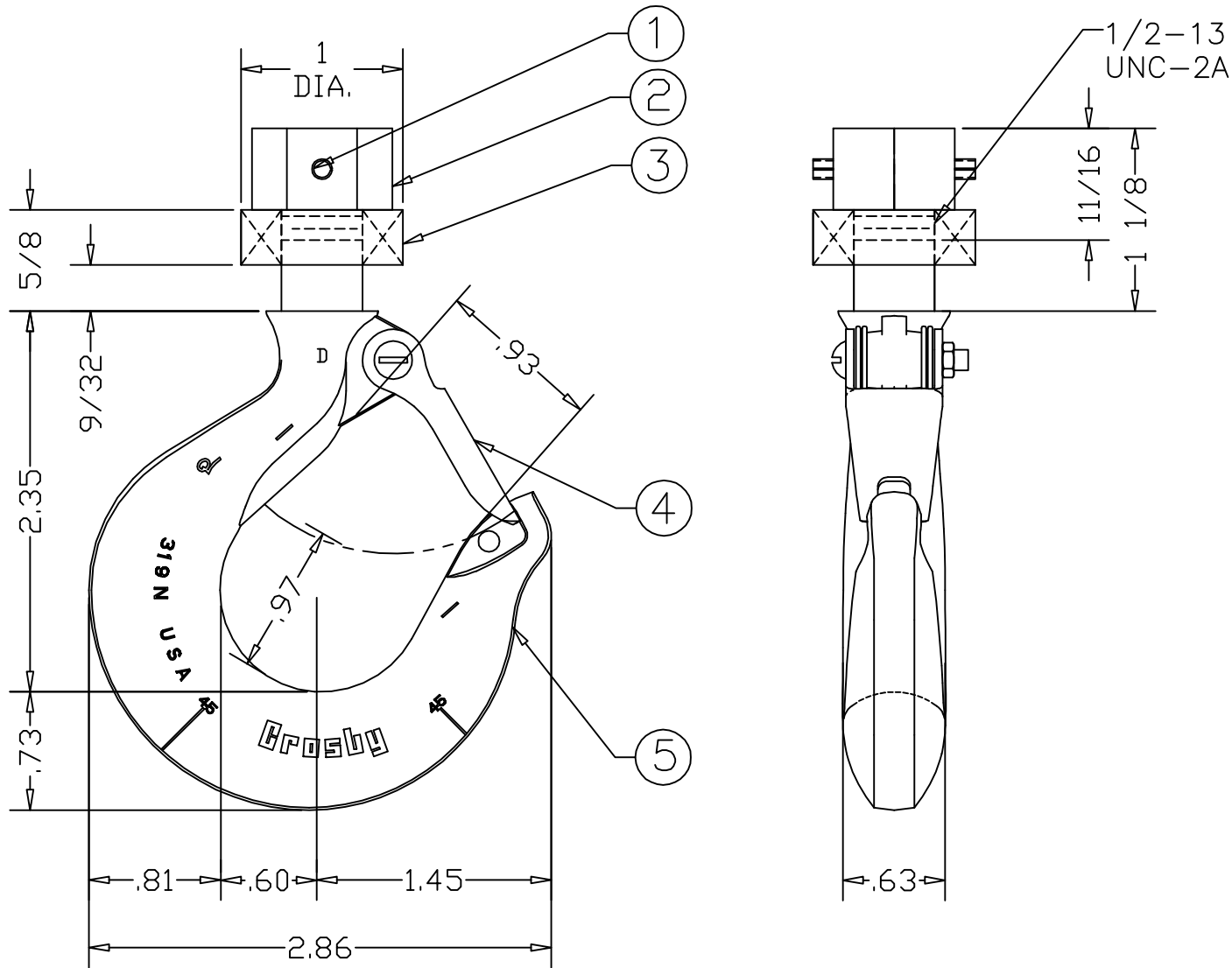
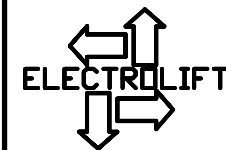


# WORKING LOAD 750 LBS.

FACTOR OF SAFETY  
5 TO 1 MINIMUM



5	--	HOOK ASSEMBLY MADE FROM CROSBY S-319CN 3/4 TON CARBON HOOK PART #1028505
4	DM7076	LATCH KIT ALSO AVAILABLE FOR INDIVIDUAL PURCHASE
3	DM7504	THRUST BEARING RATED FOR 2325 LBS SOLD SEPARATELY FROM HOOK ASSEMBLY
2	FS255	1/2-13 HEX NUT
1	FS298	1/8x1 ROLL PIN
ITEM NO.	PART NO.	DESCRIPTION



ELECTROLIFT, INC.  
204 SARGEANT AVE.  
CLIFTON, NJ 07013  
PH: 973-471-0204  
FAX: 973-471-2814  
www.electrolift.com

REV.	ECO#	DATE	BY:
STANDARD HOOK ASSEMBLY:			
P531P5			
DATE:	SCALE:	DWG SIZE:	DRAWN BY:
11/27/07	1/1	A	DR

DRAWING NO.:

P531P5-WPDF

\* - ITEM #3 THRUST BEARING SOLD SEPARATELY