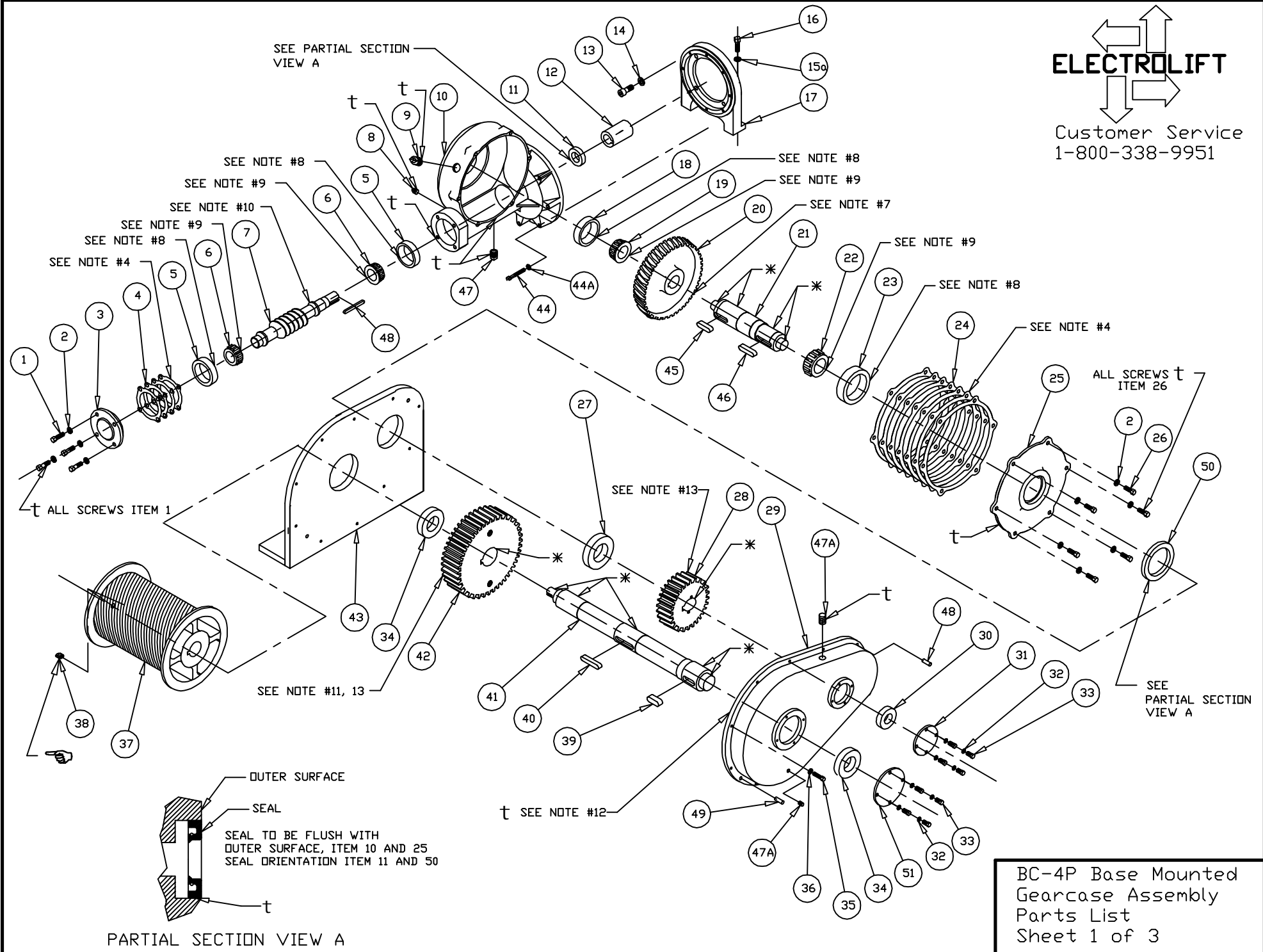
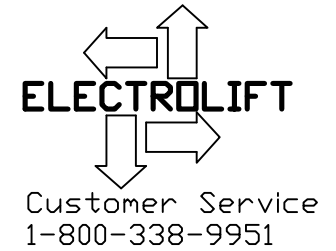


ELECTROLIFT
 Customer Service
 1-800-338-9951



30	DM7019	1	BEARING, BALL, 6206ZZ, 1.18 ID, 2.44 OD, .62 W ÖSEE NOTE D
29	M794	1	COVER, SPUR GEAR, BC-4P -- SEE NOTE #14
28	----	1	PINION, JOB SPECIFIC -- SEE NOTE #13
27	DM7018	1	BEARING, BALL, 6211ZZ, 2.16 ID, 3.93 OD, .82 W ÖSEE NOTE D
26	FS129	6	SCREW,HHCS,3/8-16x1 ÖSEE NOTE A
25	M1310A	1	COVER, SIDE, GEAR CASE, BC
24	K10755	1	KIT, SHIM, B-HOIST, SIDE COVER
23	DM7010	1	BEARING, TRB, CUP, 4.25 OD ÖSEE NOTE B
22	DM7009	1	BEARING, TRB, CONE, 2.25 ID ÖSEE NOTE B
21	K1774	1	SHAFT, PINION, BC-4P
20	----	1	WORM WHEEL, JOB SPECIFIC -- SEE NOTE #5
19	DM7003	1	BEARING, TRB, CONE, 1.50 ID ÖSEE NOTE B
18	DM7004	1	BEARING, TRB, CUP 3.00 OD ÖSEE NOTE B
17	M2959	1	ADAPTER, MOTOR, T477, C FACE
16	FS391	2	SCREW,HHCS,1/2-13x1-1/2 ÖSEE NOTE G
15a	FS323	2	WASHER,L,1/2 ÖSEE NOTE G
15	N/A	-	- ÖSEE NOTE G
14	FS320	4	WASHER,INT.TOOTH,1/2,PLATED ÖSEE NOTE A
13	FS207	4	SCREW,SHCS,1/2-13x1-1/4 ÖSEE NOTE A
12	K122P2	1	SLEEVE, MOTOR SHAFT, B HOIST
11	DM7030	1	SEAL, SHAFT, 1.18 ID, 2.06 OD ÖSEE NOTE C
10	T477BC	1	GEAR CASE, BC HOIST
9	FS337	1	PIPEPLUG,1/2 SQHD CORED, W/STRAIGHT VENT ÖSEE NOTE A
8	FS336	1	PIPEPLUG,1/8 SQHD,SOLID ÖSEE NOTE A
7	----	1	WORM SHAFT, JOB SPECIFIC -- SEE NOTE #5
6	DM7005	2	BEARING, TRB, CONE, 1.25 ID ÖSEE NOTE B
5	DM7006	2	BEARING, TRB, CUP, 3.125 OD ÖSEE NOTE B
4	K10756	1	KIT, SHIM, B-HOIST, END COVER
3	K123	1	COVER, END, GEAR CASE, B
2	FS315	10	WASHER,L,3/8 ÖSEE NOTE A
1	FS130	4	SCREW,HHCS,3/8-16x1-1/4 ÖSEE NOTE A
ITEM #	PART #	QTY	DESCRIPTION

*SEE NOTES #14 &
KIT NOTES A-G ON
SHEET 3



51	K900AP22	1	COVER, BALL BEARING
50	DM7031	1	SEAL,SHAFT,2.25 ID,3.35 OD ÖSEE NOTE C
49	FS413	2	PIN, ROLL, 3/8x1-1/4 -- SEE NOTE #14
48	K10849P3	1	KEY, 5/16x5/16,2-15/16
47A	FS333	2	PIPEPLUG,1/2 SQHD CORED ÖSEE NOTE E
47	FS333	1	PIPEPLUG,1/2 SQHD CORED ÖSEE NOTE A
46	K10910P1	1	KEY,1/2x1/2,1-3/4
45	K10910P4	1	KEY,1/2x1/2, 1-15/16
44A	FS312	7	WASHER,L,5/16 ÖSEE NOTE A
44	FS127	7	SCREW,HHCS,5/16-18x2-1/4 ÖSEE NOTE A
43	M2800P2	1	PLATE, SIDE, BC4P-TH -- SEE NOTE #14
42	----	1	GEAR, JOB SPECIFIC -- SEE NOTE #13
41	----	1	DRUM SHAFT, JOB SPECIFIC
40	K10910P4	1	KEY, 1/2x1/2x1-15/16
39	K10849P5	1	KEY, 5/16x5/16, 2, A:B DRUM SHAFT
38	FS445	1	SOCKET HEAD SET SCREW, 3/8-16x1/2, KNURLED
37	----	1	DRUM, JOB SPECIFIC
36	FS312	10	WASHER,L,5/16,PLAIN -- SEE NOTE #14
35	FS124	10	SCREW,HHCS,5/16-18x1-1/4 -- SEE NOTE #14
34	DM7017	2	BEARING, BALL, 6209ZZ, 1.77 ID, 3.34 OD, .74 W ÖSEE NOTE D
33	FS110	8	SCREW,HHCS,1/4-20x5/8, GR2 ÖSEE NOTE E
32	FS310	8	WASHER,L,1/4, PLAIN ÖSEE NOTE E
31	K900AP25	1	COVER, BALL BRG
ITEM #	PART #	QTY	DESCRIPTION

BC-4P Base Mounted
Gearcase Assembly
Parts List
Sheet 2 of 3

BILL OF MATERIALS

NOTES:

- 1) * - APPLY ANTISEIZE COMPOUND
- 2) † - APPLY PERMATEX ULTRACOPPER SEALANT ELECTROLIFT P/N DM7394
- 3) F - APPLY BLUE TYPE THREADLOCK COMPOUND, TORQUE TO 24 FT-LBS
- 4) USE THE SAME AMOUNT AND COLOR OF SHIMS AS ORIGINAL SET.
- 5) IDENTIFICATION CHART

NO OF TEETH	WORM WHEEL P/N	WORM SHAFT P/N
36	M336A	M320
41	M12207A	M2851
67	M2864A	M2853

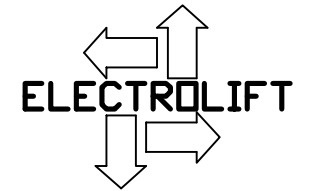
- 6) OIL CAPACITY 18 OZ. EXXON CYLESSTIC TK680 OR EQUIV. E/L P/N DM7146 OR MOBIL SHC 634 OR EQUIV. (SYNTHETIC) E/L P/N DM7381
- 7) PRESS ITEM 20 ONTO ITEM 21 CENTRALLY LOCATED ON ITEM 45
- 8) PRESS ITEM INTO MATING HOUSING OR COVER
- 9) TO BE PRESSED ON MATING SHAFT
- 10) TAP WITH MALLET AFTER PRESSING ITEM 5
- 11) PRESS ITEM 42 ONTO ITEM 41 CENTRALLY LOCATED ON ITEM 40
- 12) COAT ALL TEETH WITH EXXON RONEX MP GREASE P/N DM7154
ITEM 29 IS TO BE AT APPROX. 50% CAPACITY FULL OF GREASE WHEN SEALED.
COAT MATING SURFACES ON ITEM #43 & ITEM #29
WITH PERMATEX ULTRACOPPER SEALANT ELECTROLIFT P/N DM7394

13) IDENTIFICATION CHART

PINION- THE SMALLER OF THE TWO GEARS
GEAR- THE LARGER GEAR
PINIONS AND GEARS ARE MATCHED SETS AS KITS

KIT	# TEETH	PINION P/N	# TEETH	GEAR P/N
K11200P1	15	K852BP60	49	K852AP21
K11200P2	16	K852AP35	48	K852AP29
K11200P3	17	K852BP57	47	K852BP58
K11200P4	18	K852AP34	46	K852AP19
K11200P5	19	K852BP53	45	K852AP38
K11200P6	20	K852BP45	44	K852BP56
K11200P7	21	K852AP36	43	K852AP37
K11200P8	22	K852BP54	42	K852BP55
K11200P9	23	K852BP51	41	K852BP40
K11200P10	24	K852BP46	40	K852BP48
K11200P11	25	K852BP61	39	K852BP62
K11200P12	26	K852BP41	38	K852BP59
K11200P13	27	K852BP49	37	K852BP50

- 14) M794 & M2800P2 ARE NOT AVAILABLE INDIVIDUALLY.
THEY ARE AVAILABLE ONLY AS MATCHED SET M12276, ALONG WITH NOTED HARDWARE.



Customer Service
1-800-338-9951

Ö KIT NOTES:

- A) THIS PART CAN ONLY BE ORDERED AS PART OF GEARCASE HARDWARE KIT #K11236.
- B) THIS PART CAN ONLY BE ORDERED AS PART OF GEARCASE BEARING KIT #K11158.
- C) THIS PART CAN ONLY BE ORDERED AS PART OF SEAL KIT #K11159.
- D) THIS PART CAN ONLY BE ORDERED AS PART OF SPUR GEARBOX BEARING KIT #K11160.
- E) THIS PART CAN ONLY BE ORDERED AS PART OF SPUR GEARBOX HARDWARE KIT #K11247.
- F) FOR BOTH SEALS & SHIMS, ORDER SEAL & SHIM KIT #K11282.
- G) THIS PART CAN ONLY BE ORDERED AS PART OF HOIST HARDWARE KIT #K11249.

BC-4P Base Mounted
Gearcase Assembly
Parts List
Sheet 3 of 3