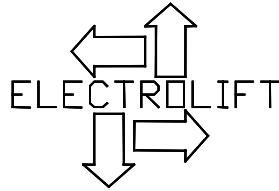
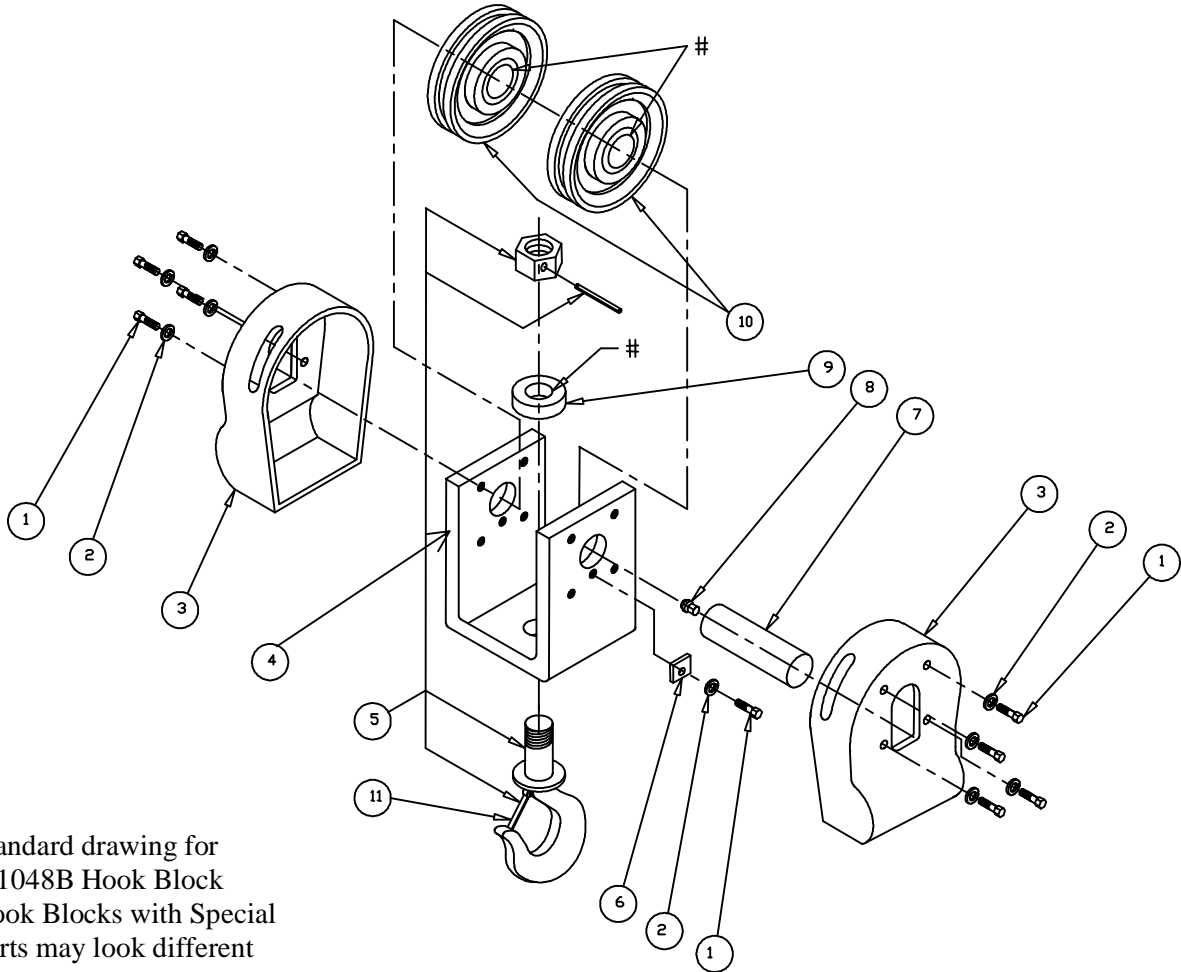


Parts List
 Customer Service:
 1-800-338-9951



M1048B Hook Block
 Issue 3: 12/20/10

- Apply Grease



Standard drawing for
 M1048B Hook Block
 Hook Blocks with Special
 Parts may look different

Bill of Materials for Standard M1048B Hook Block

11*	DM7307	1	LATCH KIT
10	K3032	2	SHEAVE, HB, B HOIST, 4 ROPE
9	DM7178	1	BEARING, THR, 5136, 1.12 ID, 2.19 OD, .62 W
8	FS346	1	FITTING,GREASE,DRIVE,STRAIGHT,1/4x35/64,ALEMITE 1743-B
7	K1864	1	PIN, SHEAVE, HB, B
6	K1865	1	LOCKING PIECE, TYPE B, 4 ROPE, HB
5**	P531P7	1	ASSY, HOOK, S319AN, 5 TON SWL, M-1048-B
4	K861P3	1	YOKE, HOOK BLOCK, M-1048-A, B 4 ROPE
3	M2758	2	GUARD, HB, B, M-1048-B
2	FS312	9	WASHER,L,5/16, PLAIN
1	FS122	9	SCREW,HHCS,5/16-18x7/8, GR2,PLAIN
ITEM #	PART NO.	QTY	DESCRIPTION

* Note: The Latch Kit, (item #11) is provided on the Hook Assembly (Item #5). The Latch Kit is also available for individual purchase.
 ** For hook blocks with a heat shield, use P531-P30