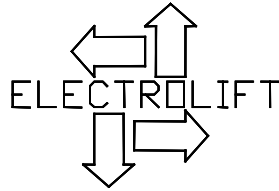
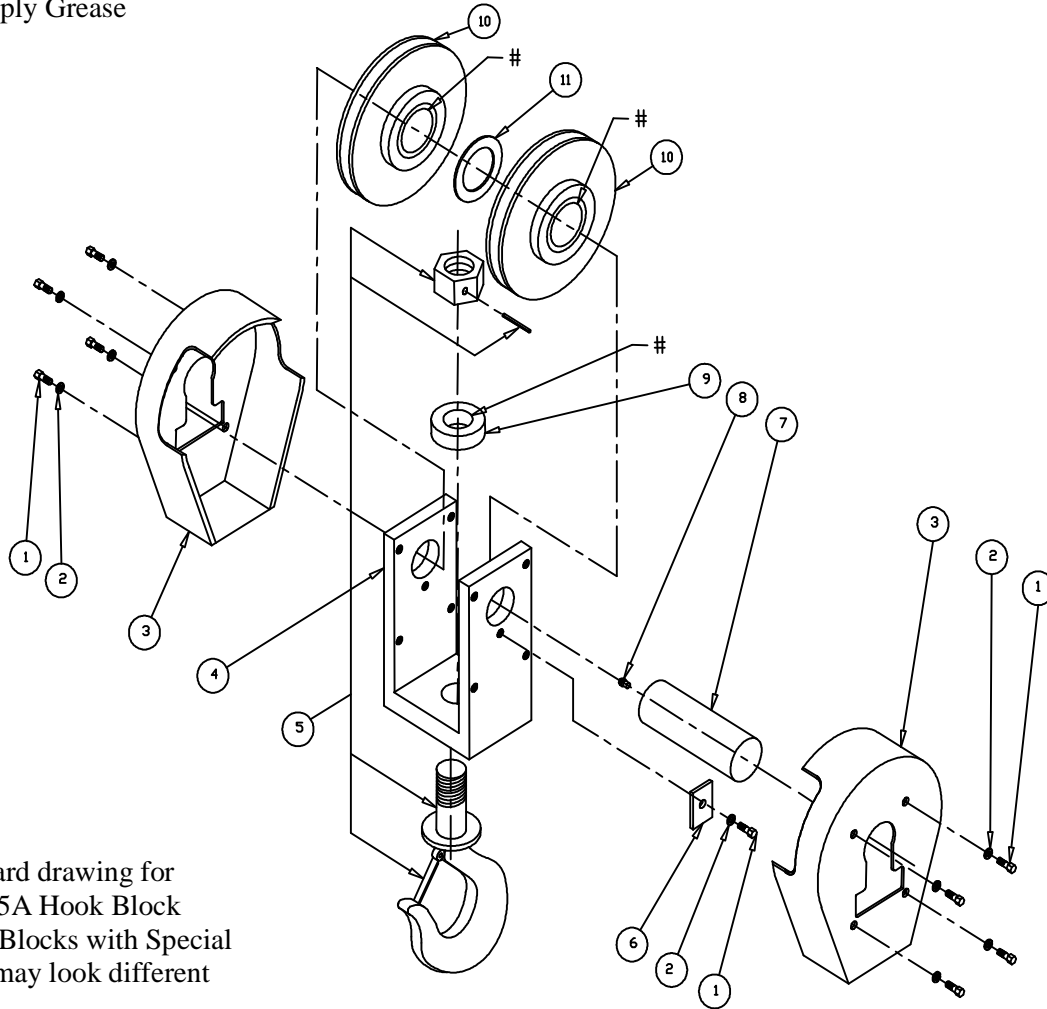


Parts List
 Customer Service:
 1-800-338-9951



M2535A Hook Block
 Issue 4: 3/1/11

- Apply Grease



Standard drawing for
 M2535A Hook Block
 Hook Blocks with Special
 Parts may look different

Bill of Materials for Standard M2535A Hook Block

12*	DM7356	1	LATCH KIT
11	K10855	1	SPACER, M2535A, BRONZE
10	M1210P4AL	2	SHEAVE, 10 PD, 9/16 CABLE, LARGE BORE
9	DM7198	1	BEARING, THR, T202W, 2.00 ID, 3.67 OD, 1.06 W
8	FS346	2	FITTING,GREASE,DRIVE,STRAIGHT,1/4x35/64,ALEMITE 1743-B
7	M2535AP2	1	PIN, SHEAVE, HB, D HOIST
6	K1971	1	LOCKING PIECE, 20,000 LB, 4 ROPE
5**	P531P11	1	ASSY,HOOK, S319CN, 15 SWL, M-2535-A
4	M2535AP1	1	YOKE, HOOK BLOCK, D HOIST, 4 ROPE
3	M2535AP3A	2	GUARD, HB, D, 4 ROPE, LARGE SLOT
2	FS323	9	WASHER,L,1/2, PLAIN
1	FS146	9	SCREW,HHCS,1/2-13x1-1/4,GR2,PLAIN
ITEM #	PART NO.	QTY	DESCRIPTION

* Note: The Latch Kit, (item #12) is provided on the Hook Assembly (Item #5). The Latch Kit is also available for individual purchase.

** For hook blocks with a heat shield, use P531-P34