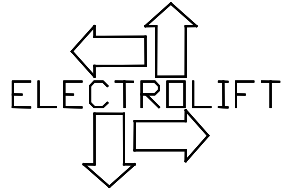
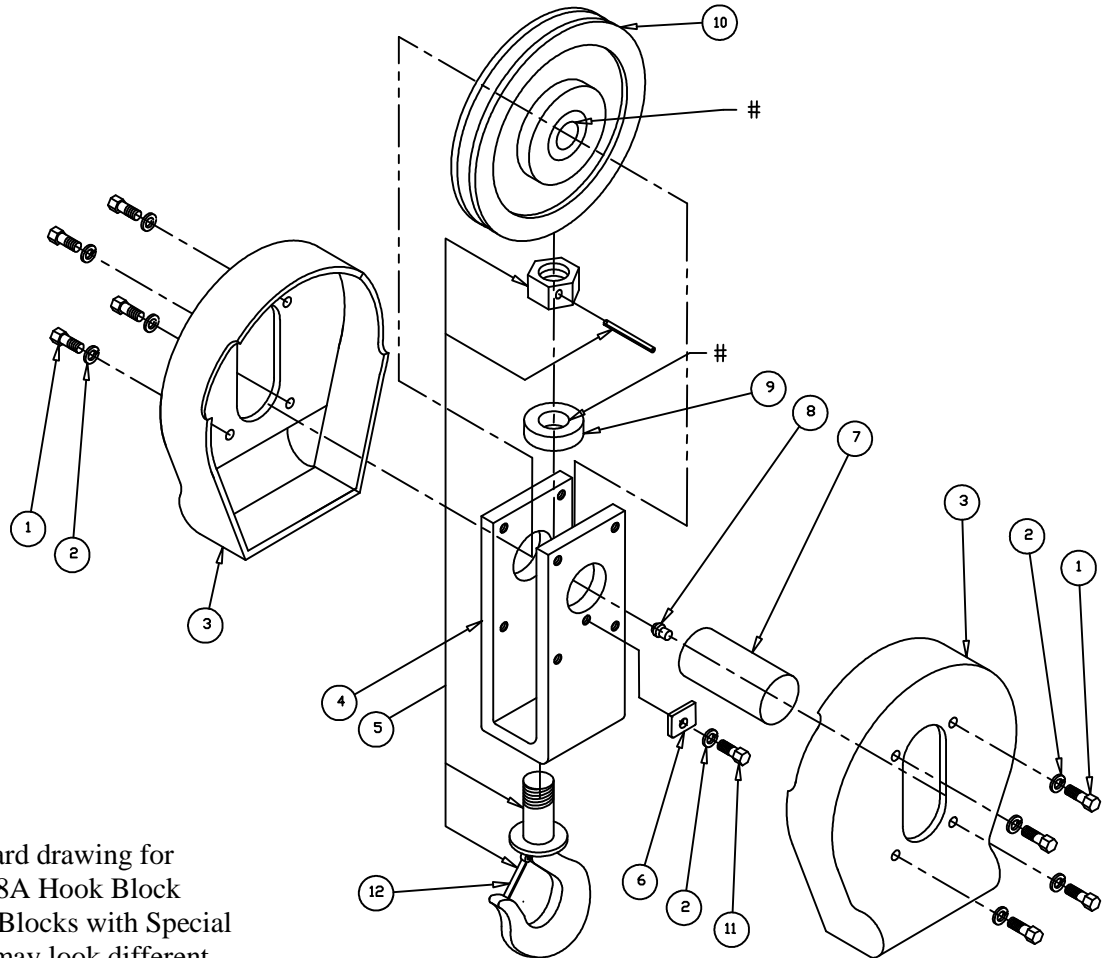


Parts List
 Customer Service:
 1-800-338-9951



M2538A Hook Block
 Issue 2: 10/4/04

- Apply Grease



Standard drawing for
 M2538A Hook Block
 Hook Blocks with Special
 Parts may look different

Bill of Materials for Standard M2538A Hook Block

| | | | |
|--------|----------|-----|--|
| 12 * | DM7307 | 1 | LATCH KIT |
| 11 | FS466 | 1 | SCREW,HHCS,3/8-16x7/8, GR2,PLAIN |
| 10 | K180P2 | 1 | SHEAVE, 8 PD, 3/8-7/16 CABLE, C HOIST |
| 9 | DM7178 | 1 | BEARING, THR, 5136, 1.12 ID, 2.19 OD, .62 W |
| 8 | FS346 | 1 | FITTING,GREASE,DRIVE,STRAIGHT,1/4x35/64,ALEMITE 1743-B |
| 7 | K1973 | 1 | PIN, SHEAVE, 2 DIA x 4-1/2 LONG, M-2538-B |
| 6 | K1949 | 1 | LOCKING PIECE, TYPE C, 4 ROPE, HB |
| 5** | P531P7 | 1 | ASSY, HOOK, S319AN, 5 SWL, M-2538-A AND M-1048-B |
| 4 | K3110 | 1 | YOKE, HOOK BLOCK, M-2538-A, C HOIST |
| 3 | K1647 | 2 | GUARD, HB, 2 ROPE |
| 2 | FS315 | 9 | WASHER,L,3/8, PLAIN |
| 1 | FS129 | 8 | SCREW,HHCS,3/8-16x1,GR2,PLAIN |
| ITEM # | PART NO. | QTY | DESCRIPTION |

* Note: The Latch Kit, (item #12) is provided on the Hook Assembly (Item #5). The Latch Kit is also available for individual purchase.
 ** For hook blocks with a heat shield, use P531-P30