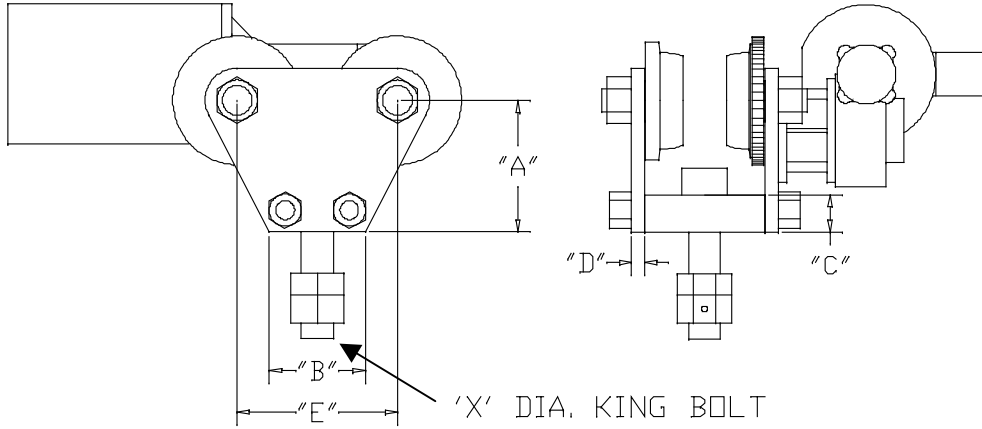


How to Identify an Electrolift Trolley

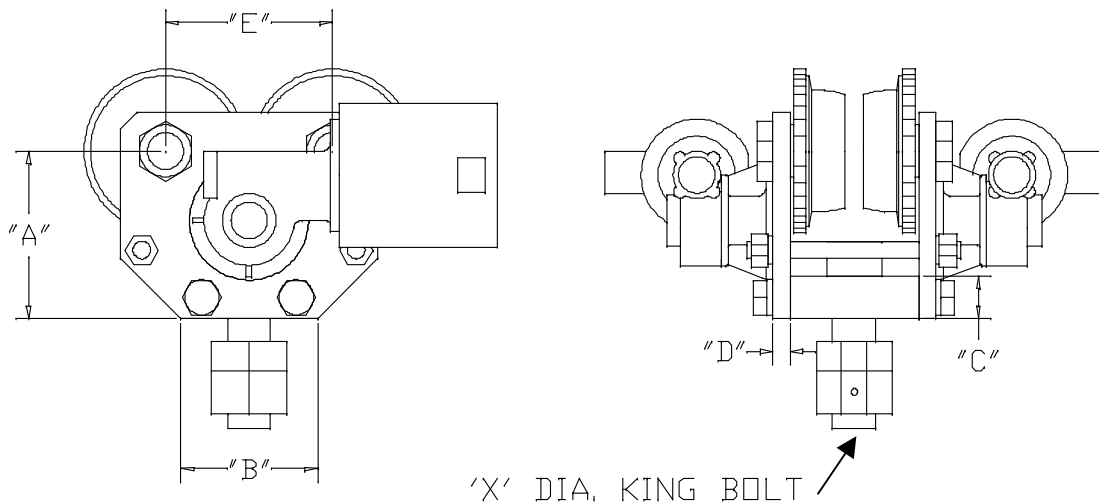
There are two types of Electrolift trolleys: the motor driven and idler trolley. Use the drawings below to identify the trolley. Single and dual drive motor driven trolleys and two and four wheel idler trolleys are shown. Measure the trolley and identify the dimensions from the tabulated chart. Standard trolleys are shown. Some trolleys may be special per job, contact Electrolift for specifications.

Single Drive Motor Driven Trolley



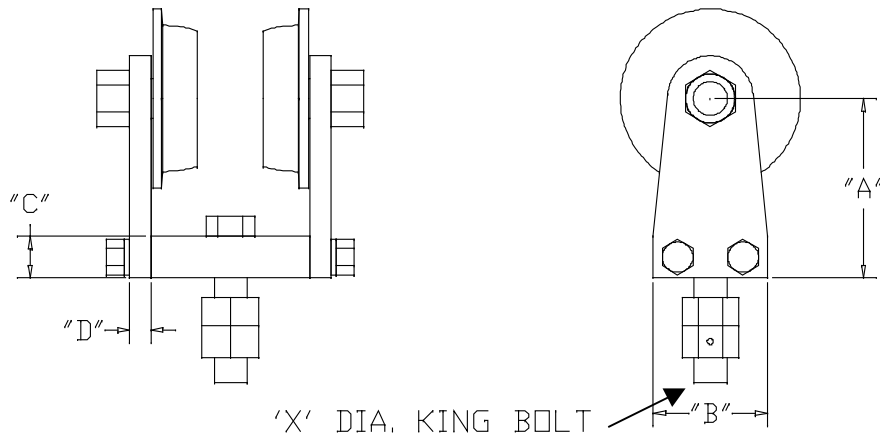
Trolley	Capacity (lbs)	Track	"A"	"B"	"C"	"D"	"E"	"X"
M-2632-B	3000	STD I-BEAM	5 1/2	4	1 1/2	5/8	7 1/2	1 1/8
M-2632-C	3000	2,3 1/4,3 5/16 FLAT TRACK	5 1/2	4	1 1/2	5/8	7 1/2	1 1/8
M-2631-B	6000	STD I-BEAM	6 1/8	4 1/2	1 3/4	5/8	7 1/2	1 1/2
M-2631-C	6000	2,3 1/4,3 5/16 FLAT TRACK	6 1/8	4 1/2	1 3/4	5/8	7 1/2	1 1/2
M-2630-B	12000	STD I-BEAM	9 3/16	6	2	3/4	8	1 3/4
M-2630-C	12000	3 1/4 - 4 1/16 FLAT TRACK	9 3/16	6	2	3/4	8	1 3/4

Dual Drive Motor Driven Trolley



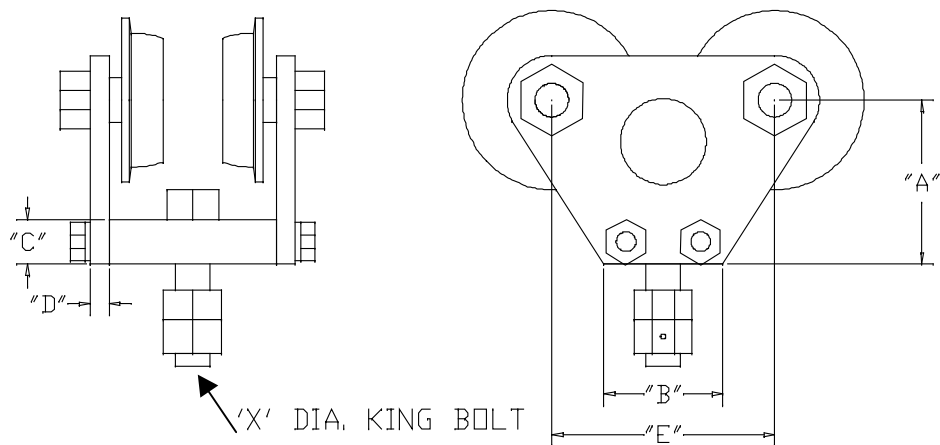
Trolley	Capacity (lbs)	Track	"A"	"B"	"C"	"D"	"E"	"X"
M-2631-C-DH	6000	2,3 1/4,3 5/16 FLAT TRACK	6 1/8	4 1/2	1 3/4	5/8	7 1/2	1 1/2
M-2630-D	15000	STD I-BEAM	9 3/16	6	2	3/4	8	1 3/4
M-2646	20000	STD I-BEAM	9 3/4	8	2 1/2	1	9 3/4	2 1/2
M-2646-C	20000	3 1/4, 3 5/16 FLAT TRACK	9 3/4	8	2 1/2	1	9 3/4	2 1/2

2 Wheel Idler Trolley



Trolley	Capacity (lbs)	Track	"A"	"B"	"C"	"D"	"X"
M-1168-B	1000	STD I-BEAM	4 9/16	3	1	1/2	3/4
M-2565-B	1000	2" FLAT TRACK	4 9/16	3	1	1/2	3/4
M-1174-B	2000	STD I-BEAM	5 1/2	3 1/2	1 1/4	5/8	1
M-1248-B	2000	3 1/4, 3 5/16 FLAT TRACK	5 1/2	3 1/2	1 1/4	5/8	1
M-1241-B	3000	STD I-BEAM	6 1/8	4	1 1/2	5/8	1 1/8
M-1271-B	3000	3 1/4, 3 5/16 FLAT TRACK	6 1/8	4	1 1/2	5/8	1 1/8
M-1180-B	4000	STD I-BEAM	6 5/8	4	1 1/2	5/8	1 1/4
M-2551-C	4000	3 1/4, 3 5/16 FLAT TRACK	6 5/8	4	1 1/2	5/8	1 1/4
M-1196-B	6000	STD I-BEAM	6 3/4	4 1/2	1 3/4	3/4	1 1/2
M-2571-C	6000	3 1/4, 3 5/16 FLAT TRACK	6 3/4	4 1/2	1 3/4	3/4	1 1/2
M-1188-B	10000	STD I-BEAM	8 3/4	6	2 1/2	7/8	1 3/4
M-1188-C	10000	3 1/4, 3 5/16 FLAT TRACK	8 3/4	6	2 1/2	7/8	1 3/4

4 Wheel Idler Trolley



Trolley	Capacity (lbs)	Track	"A"	"B"	"C"	"D"	"E"	"X"
M-12521	3000	STD I-BEAM, FLAT TRACK	5 1/2	4	1 1/2	5/8	7 1/2	1 1/8
M-8019	6000	STD I-BEAM	6 1/8	4 1/2	1 3/4	5/8	7 1/2	1 1/2
M-1171-B	10000	STD I-BEAM	9 3/16	6	2	3/4	8	1 3/4
M-1171-C	10000	3 1/4, 3 5/16 FLAT TRACK	9 3/16	6	2	3/4	8	1 3/4
M-2554	20000	STD I-BEAM	9 3/4	8	2 1/2	1	9 3/4	2 1/2