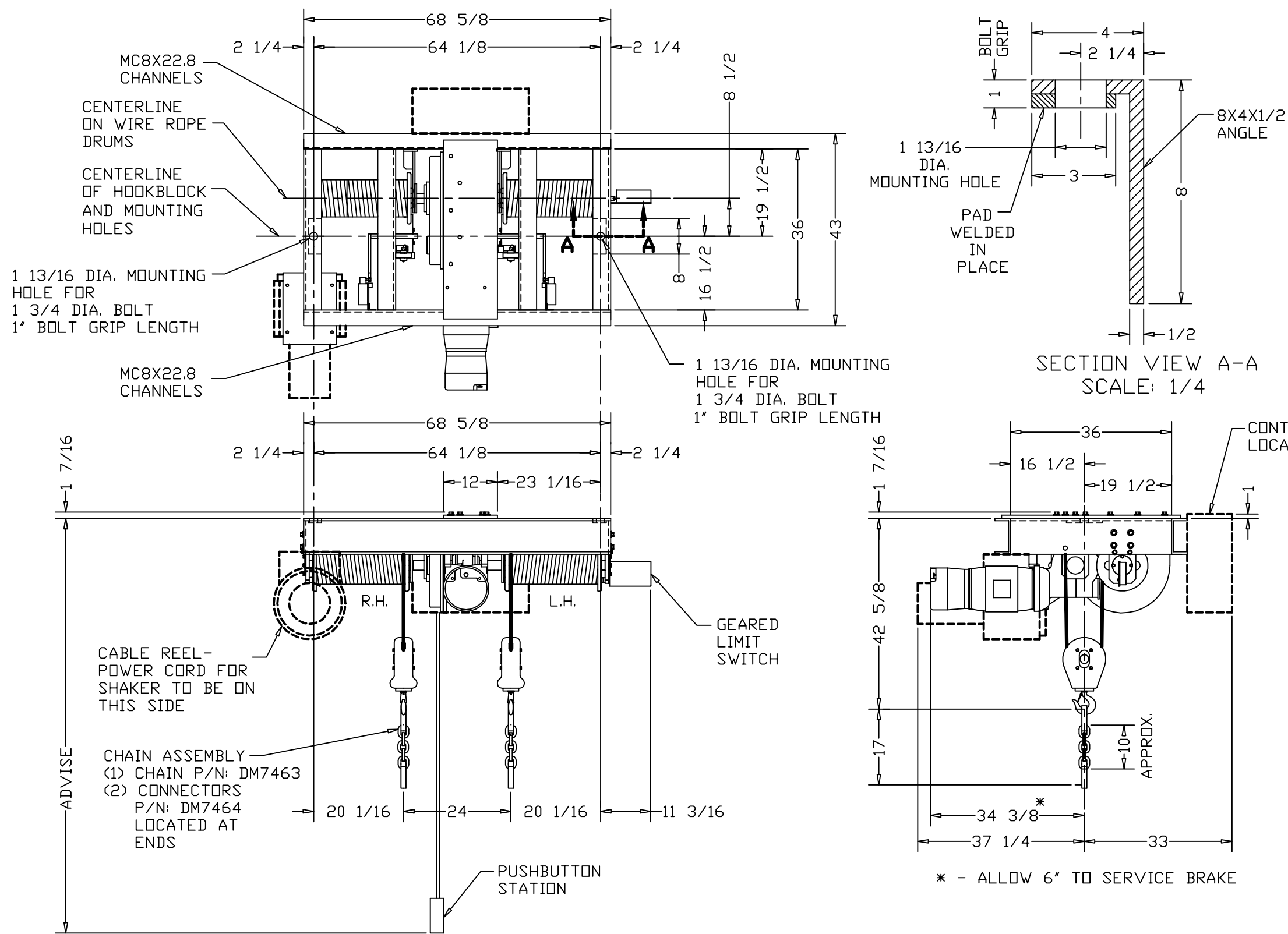


ISSUE 1
10/24/07

ISSUE 2
2/28/08



CAPACITY - 12,000 LBS
 SPEED - 12 FPM
 LIFT - 40 FT
 REEVING - 2 PART SINGLE
 PRIMARY VOLTAGE - 460/3/60
 SECONDARY VOLTAGE - 115/1/60
 HOIST MOTOR FLA - 10.1A
 TROLLEY MOTOR FLA - 1.5A
 HOIST BRAKE CURRENT RATING - .2A

ELECTROLIFT, INC.
 204 SARGEANT AVE.
 CLIFTON, NJ 07013
 PH: 973-471-0204
 FAX: 973-471-2814
www.electrolift.com

REV.	ECO#	DATE	BY:
------	------	------	-----

HOIST TYPE:
BC-3P CAR SHAKER

CONFIGURATION: **LUG MOUNTED**
CLASS II, DIV. II, GROUP F

DATE: 10/24/07	SCALE: 1/25	DWG SIZE: B	DRAWN BY: AR
-------------------	----------------	----------------	-----------------

CATALOG NO.: 869-LG	DRAWING NO.: CS-102
------------------------	-------------------------------