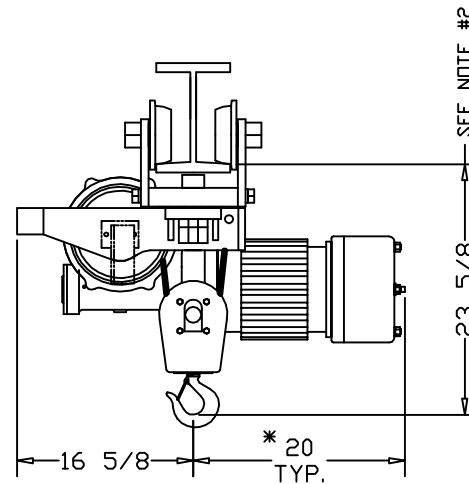


*ALLOW 6" CLEARANCE TO SERVICE BRAKE



SEE NOTE #2

CATALOG #

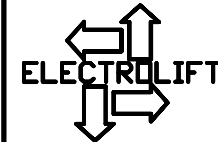
	52-PL	-	-	-
SPEED (FPM):	13	-	-	-
LIFT (FT):	20	-	-	-

CAPACITY (LBS):	6000 LBS
REEVING:	4 PART SINGLE
PRIMARY VOLTAGE:	460 or 230 (3 PH. STD)
CONTROL VOLTAGE:	115 (STD)
HOIST WEIGHT (LBS):	595
HP:	4

WHEEL LOADINGS (LBS PER WHEEL PAIR):			
FULL UP		FULL DOWN	
LEFT SIDE	RIGHT SIDE	LEFT SIDE	RIGHT SIDE
1197	5398	1911	4684

HOOKBLOCK DRIFT AT FULL DOWN POSITION (IN.) (X):	3-3/4
--	-------

- HOIST NOTES:
- LARGER CONTROL BOXES MAY NEED TO BE RELOCATED
 - PATENTED TRACK = 24-1/8"



ELECTROLIFT, INC.
204 SARGEANT AVE.
CLIFTON, NJ 07013
PH: 973-471-0204
FAX: 973-471-2814
www.electrolift.com

REV.	ECO#	DATE	BY:

HOIST TYPE: "B" SINGLE HOOK

CONFIGURATION: PLAIN TROLLEY

DATE:	SCALE:	DWG SIZE:	DRAWN BY:
6/22/04	1:12	B	AR

CATALOG NO.:	DRAWING NO.:
52-PL	B-128

CUSTOMER:

REFERENCE NO.:

ELECTROLIFT AUTHORIZED DISTRIBUTOR: