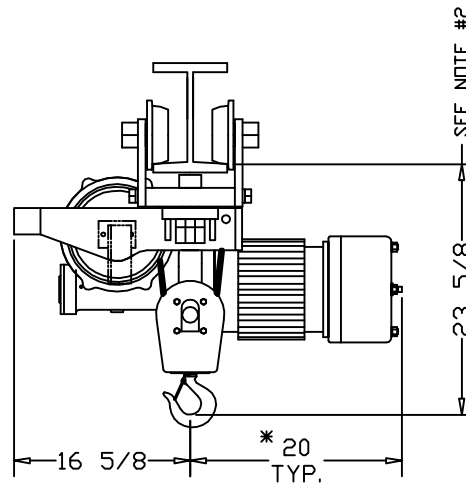


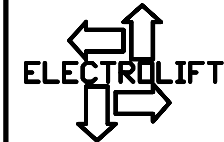
*ALLOW 6" CLEARANCE TO SERVICE BRAKE



| | | | | |
|--|------------------------|-----------|------------|---|
| | CATALOG # | | | |
| | 50-PL | - | - | - |
| SPEED (FPM): | 13 | - | - | - |
| LIFT (FT): | 25 | - | - | - |
| CAPACITY (LBS): | 6000 LBS | | | |
| REEVING: | 4 PART SINGLE | | | |
| PRIMARY VOLTAGE: | 460 or 230 (3 PH. STD) | | | |
| CONTROL VOLTAGE: | 115 (STD) | | | |
| HOIST WEIGHT (LBS): | 630 | | | |
| HP: | 4 | | | |
| WHEEL LOADINGS (LBS PER WHEEL PAIR): | | | | |
| FULL UP | | FULL DOWN | | |
| LEFT SIDE | RIGHT SIDE | LEFT SIDE | RIGHT SIDE | |
| 1151 | 5479 | 1954 | 4676 | |
| HOOKBLOCK DRIFT AT FULL DOWN POSITION (IN.) (X): 4-3/4 | | | | |

HOIST NOTES:

1. LARGER CONTROL BOXES MAY NEED TO BE RELOCATED
2. PATENTED TRACK = 24-1/8"



ELECTROLIFT, INC.
 204 SARGEANT AVE.
 CLIFTON, NJ 07013
 PH: 973-471-0204
 FAX: 973-471-2814
 www.electrolift.com

| | | | |
|------|------|------|-----|
| REV. | ECO# | DATE | BY: |
| | | | |

HOIST TYPE: "B" SINGLE HOOK

CONFIGURATION: PLAIN TROLLEY

| | | | |
|---------|--------|-----------|-----------|
| DATE: | SCALE: | DWG SIZE: | DRAWN BY: |
| 6/22/04 | 1:12 | B | AR |

| | |
|--------------|--------------|
| CATALOG NO.: | DRAWING NO.: |
| 50-PL | B-134 |

CUSTOMER:

 REFERENCE NO.:

ELECTROLIFT AUTHORIZED DISTRIBUTOR: