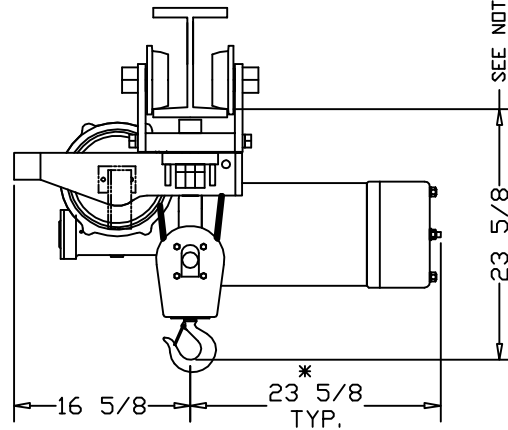


\*ALLOW 6" CLEARANCE TO SERVICE BRAKE



CATALOG #

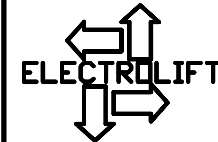
|              |       |   |   |   |
|--------------|-------|---|---|---|
|              | 58-PL | - | - | - |
| SPEED (FPM): | 20    | - | - | - |
| LIFT (FT):   | 25    | - | - | - |

|                     |                        |  |  |  |
|---------------------|------------------------|--|--|--|
| CAPACITY (LBS):     | 6000 LBS               |  |  |  |
| REEVING:            | 4 PART SINGLE          |  |  |  |
| PRIMARY VOLTAGE:    | 460 or 230 (3 PH. STD) |  |  |  |
| CONTROL VOLTAGE:    | 115 (STD)              |  |  |  |
| HOIST WEIGHT (LBS): | 630                    |  |  |  |
| HP:                 | 6-1/2                  |  |  |  |

|                                      |            |           |            |
|--------------------------------------|------------|-----------|------------|
| WHEEL LOADINGS (LBS PER WHEEL PAIR): |            |           |            |
| FULL UP                              |            | FULL DOWN |            |
| LEFT SIDE                            | RIGHT SIDE | LEFT SIDE | RIGHT SIDE |
| 1151                                 | 5479       | 1954      | 4676       |

HOOKBLOCK DRIFT AT FULL DOWN POSITION (IN.) (X): 4-3/4

- HOIST NOTES:
- LARGER CONTROL BOXES MAY NEED TO BE RELOCATED
  - PATENTED TRACK = 24-1/8"



ELECTROLIFT, INC.  
204 SARGEANT AVE.  
CLIFTON, NJ 07013  
PH: 973-471-0204  
FAX: 973-471-2814  
www.electrolift.com

|      |      |      |     |
|------|------|------|-----|
| REV. | ECO# | DATE | BY: |
|      |      |      |     |

HOIST TYPE: "B" SINGLE HOOK

CONFIGURATION: PLAIN TROLLEY

|         |        |           |           |
|---------|--------|-----------|-----------|
| DATE:   | SCALE: | DWG SIZE: | DRAWN BY: |
| 6/22/04 | 1:12   | B         | AR        |

|              |              |
|--------------|--------------|
| CATALOG NO.: | DRAWING NO.: |
| 58-PL        | B-135        |

CUSTOMER:  
  
REFERENCE NO.:

ELECTROLIFT AUTHORIZED DISTRIBUTOR: