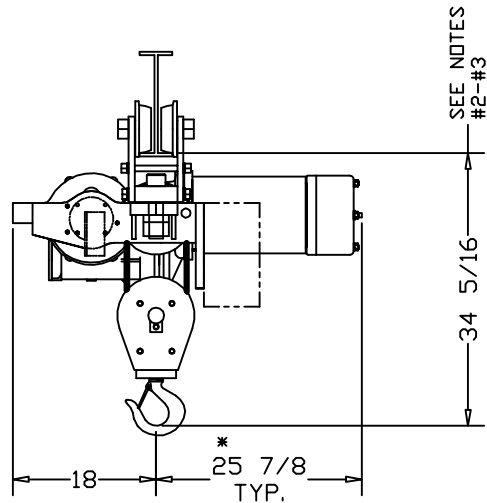


*ALLOW 6" CLEARANCE TO SERVICE BRAKE



CUSTOMER:

REFERENCE NO.:

ELECTROLIFT AUTHORIZED DISTRIBUTOR:

	CATALOG #			
	72-PL	-	-	-
SPEED (FPM):	15	-	-	-
LIFT (FT):	20	-	-	-
CAPACITY (LBS):	8000 LBS			
REEVING:	4 PART SINGLE			
PRIMARY VOLTAGE:	460 or 230 (3 PH. STD)			
CONTROL VOLTAGE:	115 (STD)			
HOIST WEIGHT (LBS):	1050			
HP:	6-1/2			
WHEEL LOADINGS (LBS PER WHEEL PAIR):				
FULL UP		FULL DOWN		
LEFT SIDE	RIGHT SIDE	LEFT SIDE	RIGHT SIDE	
1968	3541	2914	3068	
HOOKBLOCK DRIFT AT FULL DOWN POSITION (IN.) (X):				5
HOIST NOTES:				
1. LARGER CONTROL BOXES MAY NEED TO BE RELOCATED				
2. TRACK WIDTH EXCEEDS 5-1/2" = 35-13/16"				

ELECTROLIFT, INC.
204 SARGEANT AVE.
CLIFTON, NJ 07013
PH: 973-471-0204
FAX: 973-471-2814
www.electrolift.com

REV.	ECO#	DATE	BY:
HOIST TYPE:			
"C" SINGLE HOOK			
CONFIGURATION:			
PLAIN TROLLEY			
DATE:	SCALE:	DWG SIZE:	DRAWN BY:
6/15/04	1:16	B	AR
CATALOG NO.:		DRAWING NO.:	
72-PL		C-125	