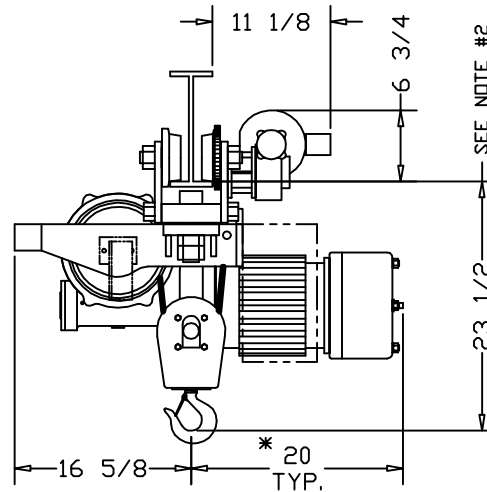


\*ALLOW 6" CLEARANCE TO SERVICE BRAKE



	CATALOG #			
	36-SD	-	-	-
SPEED (FPM):	20	-	-	-
LIFT (FT):	29	-	-	-
CAPACITY (LBS):	4000 LBS			
REEVING:	4 PART SINGLE			
PRIMARY VOLTAGE:	460 or 230 (3 PH. STD)			
CONTROL VOLTAGE:	115 (STD)			
HOIST WEIGHT (LBS):	595			
HP:	4			
WHEEL LOADINGS (LBS PER WHEEL PAIR):				
FULL UP		FULL DOWN		
LEFT SIDE	RIGHT SIDE	LEFT SIDE	RIGHT SIDE	
876	1860	1411	1592	
HOOKBLOCK DRIFT AT FULL DOWN POSITION (IN.) (X): 4-3/4				

HOIST NOTES:  
 1. LARGER CONTROL BOXES MAY NEED TO BE RELOCATED  
 2. PATENTED TRACK = 23 3/4"

**ELECTROLIFT, INC.**  
 204 SARGEANT AVE.  
 CLIFTON, NJ 07013  
 PH: 973-471-0204  
 FAX: 973-471-2814  
[www.electrolift.com](http://www.electrolift.com)

REV.	ECO#	DATE	BY:
HOIST TYPE: "B" SINGLE HOOK			
CONFIGURATION: SIDE DRIVE TROLLEY			
DATE: 7/13/04	SCALE: 1:12	DWG SIZE: B	DRAWN BY: AR
CATALOG NO: 36-SD		DRAWING NO: B-150	

CUSTOMER:  
  
REFERENCE NO.:

ELECTROLIFT AUTHORIZED DISTRIBUTOR: