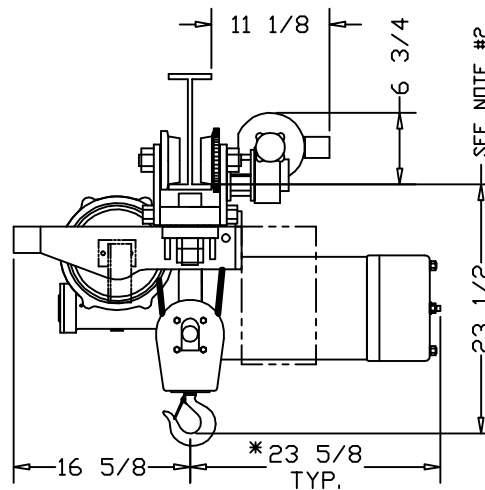
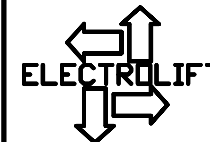


*ALLOW 6" CLEARANCE TO SERVICE BRAKE



	CATALOG #			
	49-SD	-	-	-
SPEED (FPM):	25	-	-	-
LIFT (FT):	10	-	-	-
CAPACITY (LBS):		4000 LBS		
REEVING:		4 PART SINGLE		
PRIMARY VOLTAGE:		460 or 230 (3 PH. STD)		
CONTROL VOLTAGE:		115 (STD)		
HOIST WEIGHT (LBS):		520		
HP:		6-1/2		
WHEEL LOADINGS (LBS PER WHEEL PAIR):				
FULL UP		FULL DOWN		
LEFT SIDE	RIGHT SIDE	LEFT SIDE	RIGHT SIDE	
949	1786	1289	1616	
HOOKBLOCK DRIFT AT FULL DOWN POSITION (IN.) (X): 2-1/8				
HOIST NOTES:				
1. LARGER CONTROL BOXES MAY NEED TO BE RELOCATED				
2. PATENTED TRACK = 23 3/4"				



ELECTROLIFT, INC.
 204 SARGEANT AVE.
 CLIFTON, NJ 07013
 PH: 973-471-0204
 FAX: 973-471-2814
 www.electrolift.com

REV.	ECO#	DATE	BY:
HOIST TYPE: "B" SINGLE HOOK			
CONFIGURATION: SIDE DRIVE TROLLEY			
DATE:	SCALE:	DWG SIZE:	DRAWN BY:
7/13/04	1:12	B	AR
CATALOG NO:		DRAWING NO:	
49-SD		B-139	

CUSTOMER:

 REFERENCE NO.:

ELECTROLIFT AUTHORIZED DISTRIBUTOR: