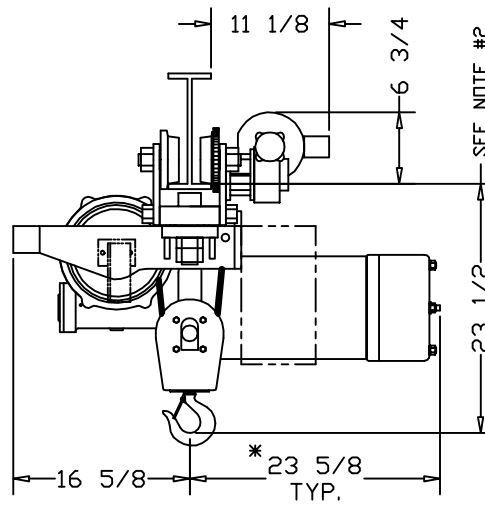


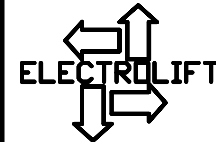
*ALLOW 6" CLEARANCE TO SERVICE BRAKE



CATALOG #

| | | | | |
|--|------------------------|-----------|------------|---|
| | 39-SD | - | - | - |
| SPEED (FPM): | 25 | - | - | - |
| LIFT (FT): | 25 | - | - | - |
| CAPACITY (LBS): | 4000 LBS | | | |
| REEVING: | 4 PART SINGLE | | | |
| PRIMARY VOLTAGE: | 460 or 230 (3 PH. STD) | | | |
| CONTROL VOLTAGE: | 115 (STD) | | | |
| HOIST WEIGHT (LBS): | 595 | | | |
| HP: | 6-1/2 | | | |
| WHEEL LOADINGS (LBS PER WHEEL PAIR): | | | | |
| FULL UP | | FULL DOWN | | |
| LEFT SIDE | RIGHT SIDE | LEFT SIDE | RIGHT SIDE | |
| 884 | 1855 | 1419 | 1588 | |
| HOOKBLOCK DRIFT AT FULL DOWN POSITION (IN.) (X): 4-3/4 | | | | |

- HOIST NOTES:
1. LARGER CONTROL BOXES MAY NEED TO BE RELOCATED
 2. PATENTED TRACK = 23 3/4"



ELECTROLIFT, INC.
 204 SARGEANT AVE.
 CLIFTON, NJ 07013
 PH: 973-471-0204
 FAX: 973-471-2814
 www.electrolift.com

| | | | |
|------|------|------|-----|
| REV. | ECO# | DATE | BY: |
| | | | |

HOIST TYPE: "B" SINGLE HOOK

CONFIGURATION: SIDE DRIVE TROLLEY

| | | | |
|-----------------------|----------------|-----------------------|-----------------|
| DATE: 7/13/04 | SCALE: 1:12 | DWG SIZE: B | DRAWN BY: AR |
| CATALOG NO.: 39-SD | | DRAWING NO.: B-151 | |

CUSTOMER:

 REFERENCE NO.:

ELECTROLIFT AUTHORIZED DISTRIBUTOR: