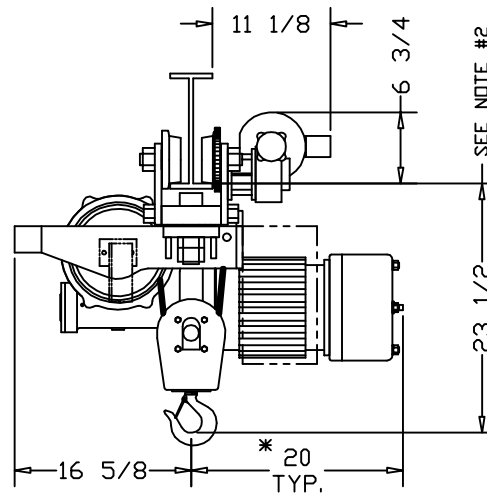


\*ALLOW 6" CLEARANCE TO SERVICE BRAKE



	CATALOG #			
	50-SD	-	-	-
SPEED (FPM):	13	-	-	-
LIFT (FT):	25	-	-	-
CAPACITY (LBS):	6000 LBS			
REEVING:	4 PART SINGLE			
PRIMARY VOLTAGE:	460 or 230 (3 PH. STD)			
CONTROL VOLTAGE:	115 (STD)			
HOIST WEIGHT (LBS):	630			
HP:	4			
WHEEL LOADINGS (LBS PER WHEEL PAIR):				
FULL UP		FULL DOWN		
LEFT SIDE	RIGHT SIDE	LEFT SIDE	RIGHT SIDE	
1151	2740	1954	2338	
HOOKBLOCK DRIFT AT FULL DOWN POSITION (IN.) (X): 4-3/4				

**ELECTROLIFT**

ELECTROLIFT, INC.  
 204 SARGEANT AVE.  
 CLIFTON, NJ 07013  
 PH: 973-471-0204  
 FAX: 973-471-2814  
 www.electrolift.com

REV.	ECO#	DATE	BY:
HOIST TYPE: "B" SINGLE HOOK			
CONFIGURATION: SIDE DRIVE TROLLEY			
DATE: 7/13/04	SCALE: 1:12	DWG SIZE: B	DRAWN BY: AR
CATALOG NO: 50-SD		DRAWING NO: B-152	

CUSTOMER:

REFERENCE NO.:

ELECTROLIFT AUTHORIZED DISTRIBUTOR: