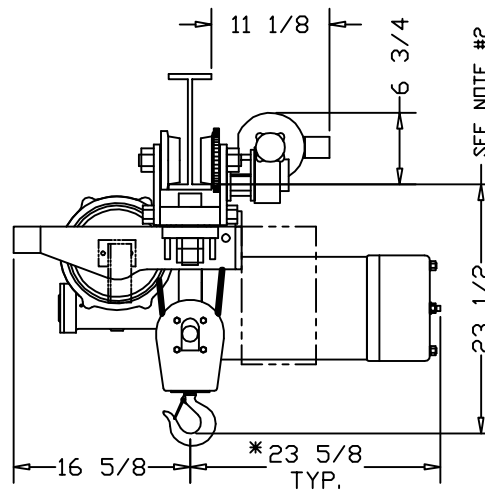
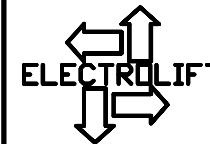


\*ALLOW 6" CLEARANCE TO SERVICE BRAKE



	CATALOG #			
	53-SD	-	-	-
SPEED (FPM):	20	-	-	-
LIFT (FT):	10	-	-	-
CAPACITY (LBS):	6000 LBS			
REEVING:	4 PART SINGLE			
PRIMARY VOLTAGE:	460 or 230 (3 PH. STD)			
CONTROL VOLTAGE:	115 (STD)			
HOIST WEIGHT (LBS):	545			
HP:	6-1/2			
WHEEL LOADINGS (LBS PER WHEEL PAIR):				
FULL UP		FULL DOWN		
LEFT SIDE	RIGHT SIDE	LEFT SIDE	RIGHT SIDE	
1331	2607	1841	2352	
HOOKBLOCK DRIFT AT FULL DOWN POSITION (IN.) (X): 2-1/8				
HOIST NOTES:				
1. LARGER CONTROL BOXES MAY NEED TO BE RELOCATED				
2. PATENTED TRACK = 23 3/4"				



ELECTROLIFT, INC.  
 204 SARGEANT AVE.  
 CLIFTON, NJ 07013  
 PH: 973-471-0204  
 FAX: 973-471-2814  
 www.electrolift.com

REV.	ECO#	DATE	BY:
HOIST TYPE: "B" SINGLE HOOK			
CONFIGURATION: SIDE DRIVE TROLLEY			
DATE:	SCALE:	DWG SIZE:	DRAWN BY:
7/13/04	1:12	B	AR
CATALOG NO:		DRAWING NO:	
53-SD		B-141	

CUSTOMER:  
  
 REFERENCE NO.:

ELECTROLIFT AUTHORIZED DISTRIBUTOR: