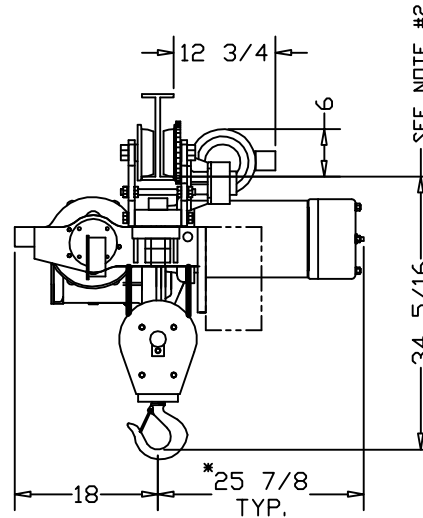


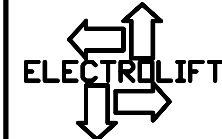
*ALLOW 6" CLEARANCE TO SERVICE BRAKE



	CATALOG #			
	72-SD	-	-	-
SPEED (FPM):	15	-	-	-
LIFT (FT):	20	-	-	-
CAPACITY (LBS):	8000 LBS			
REEVING:	4 PART SINGLE			
PRIMARY VOLTAGE:	460 or 230 (3 PH. STD)			
CONTROL VOLTAGE:	115 (STD)			
HOIST WEIGHT (LBS):	1050			
HP:	6-1/2			
WHEEL LOADINGS (LBS PER WHEEL PAIR):				
FULL UP		FULL DOWN		
LEFT SIDE	RIGHT SIDE	LEFT SIDE	RIGHT SIDE	
1981	3534	2939	3056	
HOOKBLOCK DRIFT AT FULL DOWN POSITION (IN.) (X):				5

HOIST NOTES:

- LARGER CONTROL BOXES MAY NEED TO BE RELOCATED
- TRACK WIDTH EXCEEDS 5-1/2" = 35-13/16"



ELECTROLIFT, INC.
 204 SARGEANT AVE.
 CLIFTON, NJ 07013
 PH: 973-471-0204
 FAX: 973-471-2814
 www.electrolift.com

REV.	ECO#	DATE	BY:

HOIST TYPE: "C" SINGLE HOOK

CONFIGURATION: SIDE DRIVE TROLLEY

DATE: 7/15/04	SCALE: 1:16	DWG SIZE: B	DRAWN BY: AR
CATALOG NO.: 72-SD		DRAWING NO.: C-141	

CUSTOMER:

 REFERENCE NO.:

ELECTROLIFT AUTHORIZED DISTRIBUTOR: