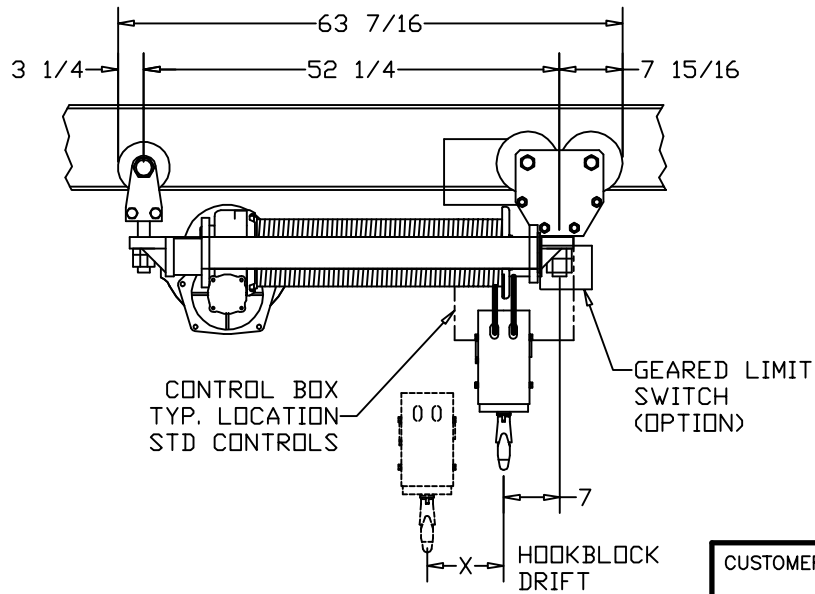
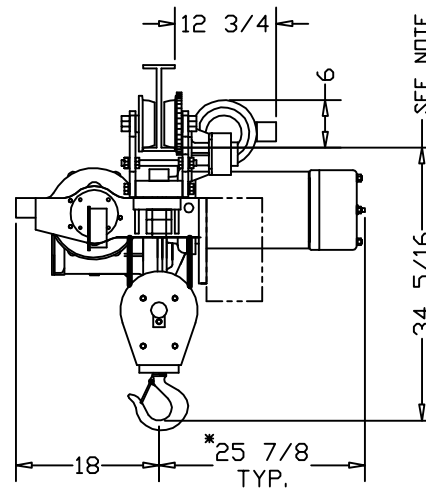


44



\*ALLOW 6" CLEARANCE  
TO SERVICE BRAKE



CATALOG #

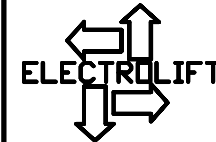
	83-SD	-	-	-
SPEED (FPM):	13	-	-	-
LIFT (FT):	32	-	-	-

CAPACITY (LBS):	10000 LBS
REEVING:	4 PART SINGLE
PRIMARY VOLTAGE:	460 or 230 (3 PH. STD)
CONTROL VOLTAGE:	115 (STD)
HOIST WEIGHT (LBS):	1190
HP:	6-1/2

WHEEL LOADINGS (LBS PER WHEEL PAIR):			
FULL UP		FULL DOWN	
LEFT SIDE	RIGHT SIDE	LEFT SIDE	RIGHT SIDE
2137	4527	3608	3791

HOOKBLOCK DRIFT AT FULL  
DOWN POSITION (IN.) (X): 7-3/4

- HOIST NOTES:
- LARGER CONTROL BOXES MAY NEED TO BE RELOCATED
  - TRACK WIDTH EXCEEDS 5-1/2" = 35-13/16"



ELECTROLIFT, INC.  
204 SARGEANT AVE.  
CLIFTON, NJ 07013  
PH: 973-471-0204  
FAX: 973-471-2814  
www.electrolift.com

REV.	ECO#	DATE	BY:

HOIST TYPE: "C" SINGLE HOOK

CONFIGURATION: SIDE DRIVE TROLLEY

DATE:	SCALE:	DWG SIZE:	DRAWN BY:
7/15/04	1:16	B	AR

CATALOG NO.:	DRAWING NO.:
83-SD	C-148

CUSTOMER:  
  
REFERENCE NO.:

ELECTROLIFT AUTHORIZED DISTRIBUTOR: