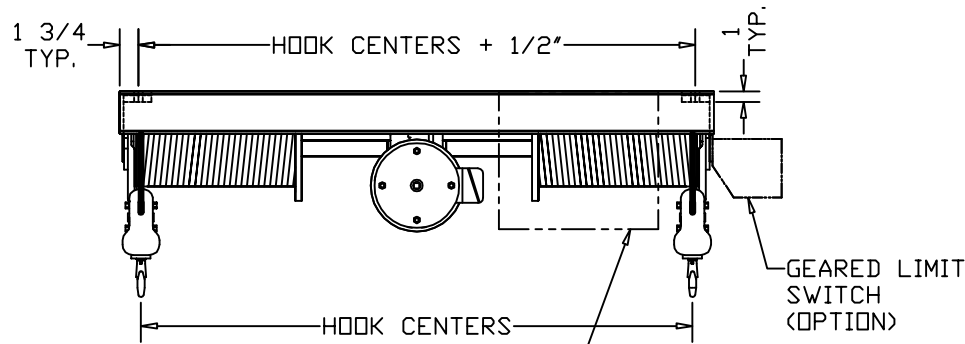


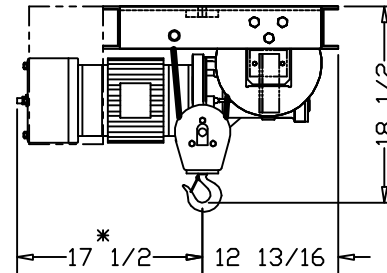
CENTERLINE OF HOOKBLOCKS

HOLE FOR 3/4 DIA. BOLTS 1" GRIP (2) PLACES



CONTROL BOX STD CONTROLS SEE NOTE #1

GEARED LIMIT SWITCH (OPTION)

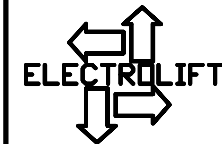


\*ALLOW 6" CLEARANCE TO SERVICE BRAKE

CATALOG #	SPEED (FPM):	LIFT (FT):
162-LG	30	20
192-LG	30	40
855-LG	30	50
-	-	-
-	-	-
-	-	-

CAPACITY (LBS):	1000 LBS
REEVING:	2 PART SINGLE
PRIMARY VOLTAGE:	460 or 230 (3 PH. STD)
CONTROL VOLTAGE:	115 (STD)
HOIST WEIGHT (LBS):	650
HP:	1-1/2
PIN LOADINGS (LBS):	
LEFT SIDE:	825
RIGHT SIDE:	825

- HOIST NOTES:
1. SPECIFIC CONTROL BOX LOCATION WILL BE DEFINED UPON CONTROLS SELECTION, HOOK CENTERS, AND APPLICATION SPECIFIC CLEARANCE ISSUES
  2. AS SHOWN, CONFIGURATION IS ACCEPTABLE FOR HOOK CENTERS UP TO 120"
  3. CHANNEL GAUGE MAY INCREASE AS HOOK CENTERS BECOME LARGER
  4. CONTACT FACTORY FOR APPLICATIONS THAT REQUIRE HOOK CENTERS LARGER THAN 120"



ELECTROLIFT, INC.  
204 SARGEANT AVE.  
CLIFTON, NJ 07013  
PH: 973-471-0204  
FAX: 973-471-2814  
www.electrolift.com

REV.	ECO#	DATE	BY:

HOIST TYPE: "A" TWIN HOOK

CONFIGURATION: LUG MOUNTED

DATE:	SCALE:	DWG SIZE:	DRAWN BY:
7/29/04	1:12	B	AR

CATALOG NO.:	DRAWING NO.:
162-LG 192-LG 855-LG	A-119

CUSTOMER:  
  
REFERENCE NO.:

ELECTROLIFT AUTHORIZED DISTRIBUTOR: