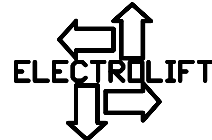


| CATALOG # | SPEED (FPM): | LIFT (FT): |
|-----------|--------------|------------|
| 163-LG | 40 | 20 |
| 168-LG | 25 | 20 |
| 193-LG | 40 | 40 |
| 198-LG | 25 | 40 |
| 856-LG | 25 | 58 |
| 857-LG | 40 | 58 |

| | |
|---------------------|------------------------|
| CAPACITY (LBS): | 2000 LBS |
| REEVING: | 2 PART SINGLE |
| PRIMARY VOLTAGE: | 460 or 230 (3 PH. STD) |
| CONTROL VOLTAGE: | 115 (STD) |
| HOIST WEIGHT (LBS): | 850 |
| HP: | 4 |
| PIN LOADINGS (LBS): | |
| LEFT SIDE: | 1425 |
| RIGHT SIDE: | 1425 |

- HOIST NOTES:
1. SPECIFIC CONTROL BOX LOCATION WILL BE DEFINED UPON CONTROLS SELECTION, HOOK CENTERS, AND APPLICATION SPECIFIC CLEARANCE ISSUES
 2. AS SHOWN, CONFIGURATION IS ACCEPTABLE FOR HOOK CENTERS UP TO 120"
 3. CHANNEL GAUGE MAY INCREASE AS HOOK CENTERS BECOME LARGER
 4. CONTACT FACTORY FOR APPLICATIONS THAT REQUIRE HOOK CENTERS LARGER THAN 120"



ELECTROLIFT, INC.
 204 SARGEANT AVE.
 CLIFTON, NJ 07013
 PH: 973-471-0204
 FAX: 973-471-2814
 www.electrolift.com

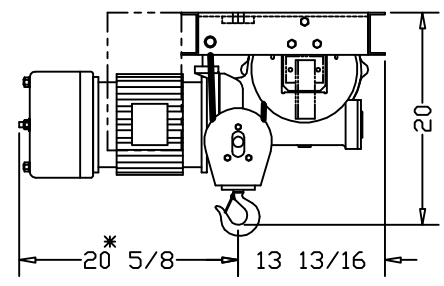
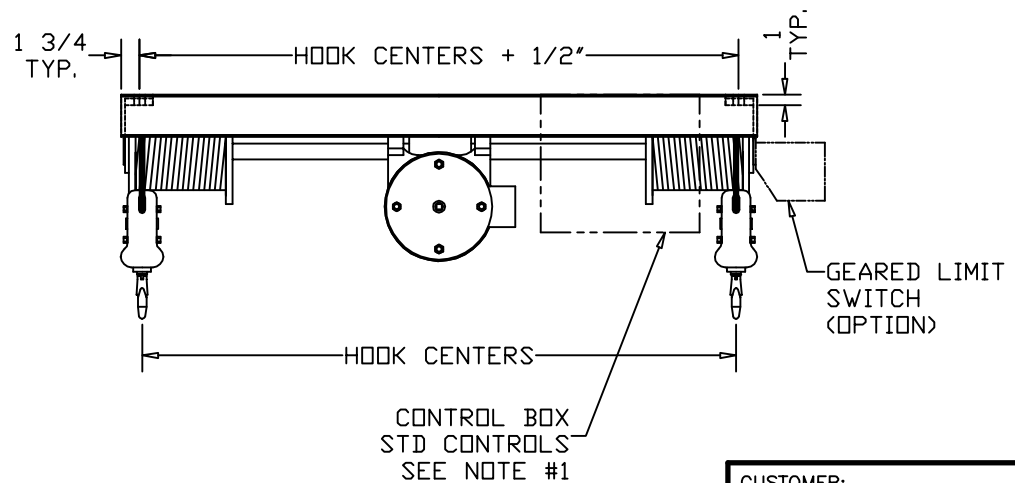
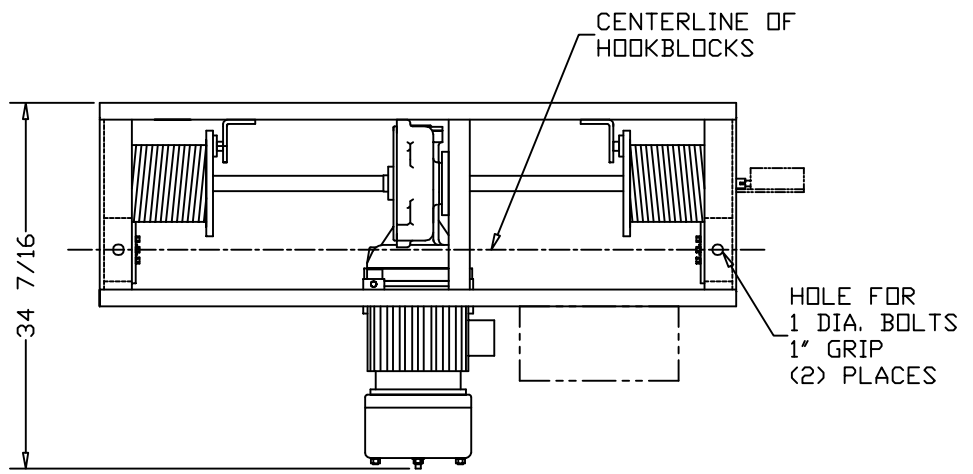
| REV. | ECO# | DATE | BY: |
|------|------|------|-----|
| | | | |

HOIST TYPE: "B" TWIN HOOK

CONFIGURATION: LUG MOUNTED

| DATE: | SCALE: | DWG SIZE: | DRAWN BY: |
|---------|--------|-----------|-----------|
| 7/29/04 | 1:12 | B | AR |

| CATALOG NO.: | DRAWING NO.: |
|---|--------------|
| 163-LG 198-LG 168-LG 856-LG 193-LG 857-LG | B-154 |



*ALLOW 6" CLEARANCE TO SERVICE BRAKE

CUSTOMER:

REFERENCE NO.:

ELECTROLIFT AUTHORIZED DISTRIBUTOR: