

CATALOG #	SPEED (FPM):	LIFT (FT):
871-LG	10	10
872-LG	10	20
873-LG	10	40
-	-	-
-	-	-
-	-	-

CAPACITY (LBS):	15000 LBS
REEVING:	4 PART SINGLE
PRIMARY VOLTAGE:	460 or 230 (3 PH. STD)
CONTROL VOLTAGE:	115 (STD)
HOIST WEIGHT (LBS):	2075
HP:	7-1/2
PIN LOADINGS (LBS):	
LEFT SIDE:	8538
RIGHT SIDE:	8535

- HOIST NOTES:**
1. SPECIFIC CONTROL BOX LOCATION WILL BE DEFINED UPON CONTROLS SELECTION, HOOK CENTERS, AND APPLICATION SPECIFIC CLEARANCE ISSUES
 2. AS SHOWN, CONFIGURATION IS ACCEPTABLE FOR HOOK CENTERS UP TO 120"
 3. CHANNEL GAUGE MAY INCREASE AS HOOK CENTERS BECOME LARGER
 4. CONTACT FACTORY FOR APPLICATIONS THAT REQUIRE HOOK CENTERS LARGER THAN 120"

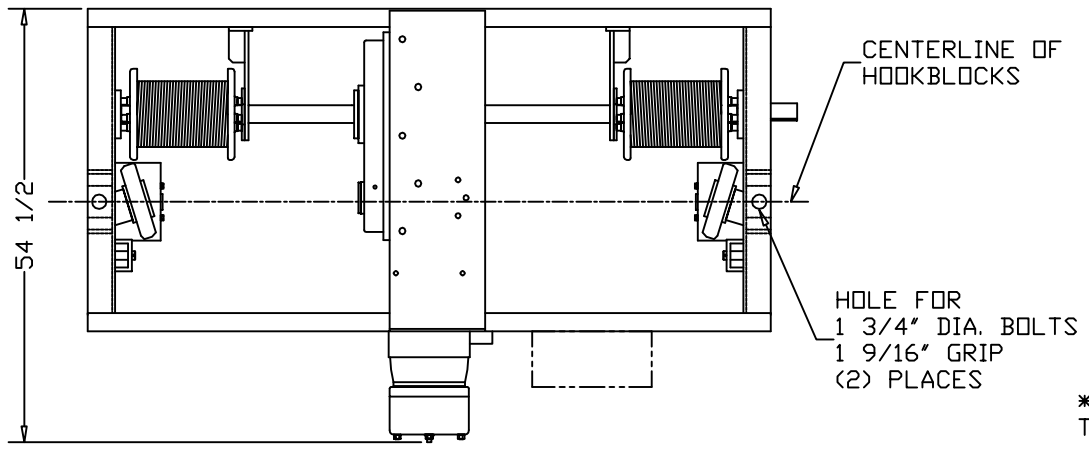
ELECTROLIFT, INC.
 204 SARGEANT AVE.
 CLIFTON, NJ 07013
 PH: 973-471-0204
 FAX: 973-471-2814
www.electrolift.com

REV.	ECO#	DATE	BY:

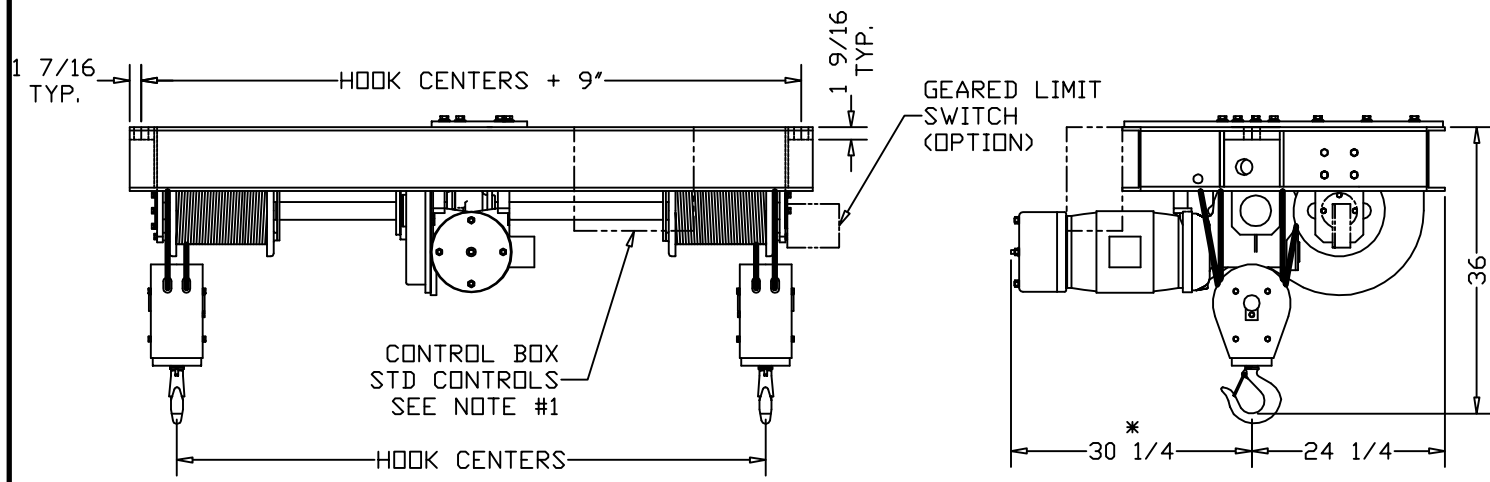
HOIST TYPE: "BC-3P" TWIN HOOK

CONFIGURATION: LUG MOUNTED

DATE:	SCALE:	DWG SIZE:	DRAWN BY:
8/2/04	1:16	B	AR
CATALOG NO.:		DRAWING NO.:	
871-LG 872-LG 873-LG		BC-108	



*ALLOW 6" CLEARANCE TO SERVICE BRAKE



CUSTOMER:

REFERENCE NO.:

ELECTROLIFT AUTHORIZED DISTRIBUTOR: