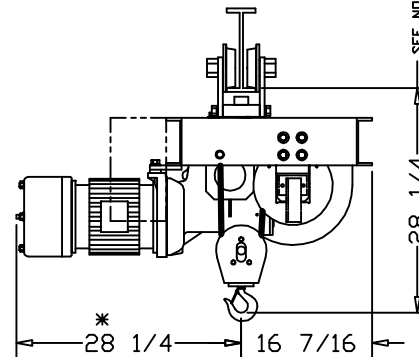


\*ALLOW 6" CLEARANCE TO SERVICE BRAKE



CONTROL BOX  
STD CONTROLS  
SEE NOTE #1

CUSTOMER:

ELECTROLIFT AUTHORIZED DISTRIBUTOR:

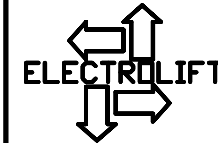
REFERENCE NO.:

CATALOG #	SPEED (FPM):	LIFT (FT):
165-PL	20	20
195-PL	20	40
859-PL	20	58
-	-	-
-	-	-
-	-	-

CAPACITY (LBS):	4000 LBS
REEVING:	2 PART SINGLE
PRIMARY VOLTAGE:	460 or 230 (3 PH. STD)
CONTROL VOLTAGE:	115 (STD)
HOIST WEIGHT (LBS):	1050
HP:	4
WHEEL LOADINGS (LBS PER WHEEL PAIR):	
LEFT SIDE:	2525
RIGHT SIDE:	2525

HOIST NOTES:

1. SPECIFIC CONTROL BOX LOCATION WILL BE DEFINED UPON CONTROLS SELECTION, HOOK CENTERS, AND APPLICATION SPECIFIC CLEARANCE ISSUES
2. AS SHOWN, CONFIGURATION IS ACCEPTABLE FOR HOOK CENTERS UP TO 120"
3. CHANNEL GAUGE MAY INCREASE AS HOOK CENTERS BECOME LARGER
4. CONTACT FACTORY FOR APPLICATIONS THAT REQUIRE HOOK CENTERS LARGER THAN 120"
5. S6 TRACK = 28-1/2"



ELECTROLIFT, INC.  
204 SARGEANT AVE.  
CLIFTON, NJ 07013  
PH: 973-471-0204  
FAX: 973-471-2814  
www.electrolift.com

REV.	ECO#	DATE	BY:

HOIST TYPE:	"BC-4P" TWIN HOOK
-------------	-------------------

CONFIGURATION:	PLAIN TROLLEY
----------------	---------------

DATE:	SCALE:	DWG SIZE:	DRAWN BY:
8/5/04	1:16	B	AR

CATALOG NO.:	DRAWING NO.:
165-PL 195-PL 859-PL	BC-109