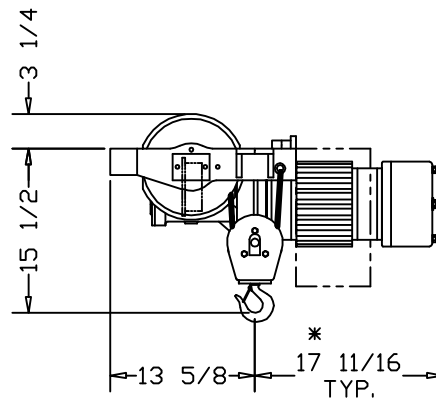
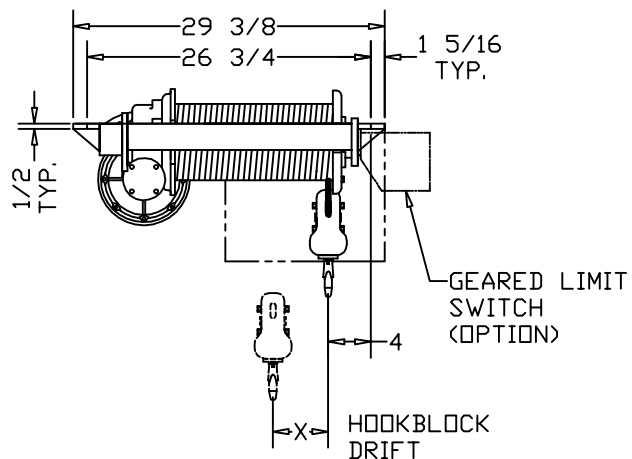


HOLE FOR 3/4 DIA. BOLT



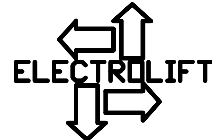
*ALLOW 6" CLEARANCE TO SERVICE BRAKE

CUSTOMER:

REFERENCE NO.:

ELECTROLIFT AUTHORIZED DISTRIBUTOR:

| | | | | |
|--|------------------------|-----------|------------|---|
| | CATALOG # | | | |
| | 12-LG | 89-LG | - | - |
| SPEED (FPM): | 30 | 20 | - | - |
| LIFT (FT): | 40 | 30 | - | - |
| CAPACITY (LBS): | 1000 LBS | | | |
| REEVING: | 2 PART SINGLE | | | |
| PRIMARY VOLTAGE: | 460 or 230 (3 PH. STD) | | | |
| CONTROL VOLTAGE: | 115 (STD) | | | |
| HOIST WEIGHT (LBS): | 265 | | | |
| HP: | 1-1/2 | | | |
| PIN LOADINGS (LBS): | | | | |
| FULL UP | | FULL DOWN | | |
| LEFT SIDE | RIGHT SIDE | LEFT SIDE | RIGHT SIDE | |
| 325 | 940 | 605 | 660 | |
| HOOKBLOCK DRIFT AT FULL DOWN POSITION (IN.) (X): 7-1/2 | | | | |
| HOIST NOTES: -LARGER CONTROL BOXES MAY NEED TO BE RELOCATED | | | | |



ELECTROLIFT, INC.
204 SARGEANT AVE.
CLIFTON, NJ 07013
PH: 973-471-0204
FAX: 973-471-2814
www.electrolift.com

| | | | |
|------|------|----------|-----|
| 1 | - | 10/21/05 | AR |
| REV. | ECO# | DATE | BY: |

HOIST TYPE: "A" SINGLE HOOK

CONFIGURATION: LUG MOUNTED

| | | | |
|----------------|--------|--------------|-----------|
| DATE: | SCALE: | DWG SIZE: | DRAWN BY: |
| 6/11/04 | 1:12 | B | AR |
| CATALOG NO.: | | DRAWING NO.: | |
| 12-LG 89-LG | | A-102 | |