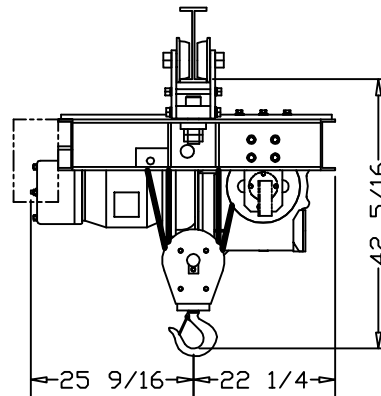


*ALLOW 6" CLEARANCE TO SERVICE BRAKE



CONTROL BOX
STD CONTROLS
SEE NOTE #1

GEARED LIMIT
SWITCH
(OPTION)

CUSTOMER:

ELECTROLIFT AUTHORIZED DISTRIBUTOR:

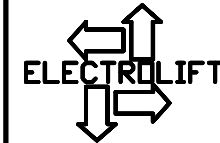
REFERENCE NO.:

CATALOG #	SPEED (FPM):	LIFT (FT):
874-PL	10	10
875-PL	10	20
876-PL	10	32
-	-	-
-	-	-
-	-	-

CAPACITY (LBS):	20000 LBS
REEVING:	2 PART SINGLE
PRIMARY VOLTAGE:	460 or 230 (3 PH. STD)
CONTROL VOLTAGE:	115 (STD)
HOIST WEIGHT (LBS):	2100
HP:	10
WHEEL LOADINGS (LBS PER WHEEL PAIR):	
LEFT SIDE:	11050
RIGHT SIDE:	11050

HOIST NOTES:

1. SPECIFIC CONTROL BOX LOCATION WILL BE DEFINED UPON CONTROLS SELECTION, HOOK CENTERS, AND APPLICATION SPECIFIC CLEARANCE ISSUES
2. AS SHOWN, CONFIGURATION IS ACCEPTABLE FOR HOOK CENTERS UP TO 120"
3. CHANNEL GAUGE MAY INCREASE AS HOOK CENTERS BECOME LARGER
4. CONTACT FACTORY FOR APPLICATIONS THAT REQUIRE HOOK CENTERS LARGER THAN 120"



ELECTROLIFT, INC.
204 SARGEANT AVE.
CLIFTON, NJ 07013
PH: 973-471-0204
FAX: 973-471-2814
www.electrolift.com

REV.	ECO#	DATE	BY:

HOIST TYPE: "D" TWIN HOOK

CONFIGURATION: PLAIN TROLLEY

DATE:	SCALE:	DWG SIZE:	DRAWN BY:
8/5/04	1:20	B	AR
CATALOG NO.:	DRAWING NO.:		
874-PL 875-PL 876-PL	D-133		