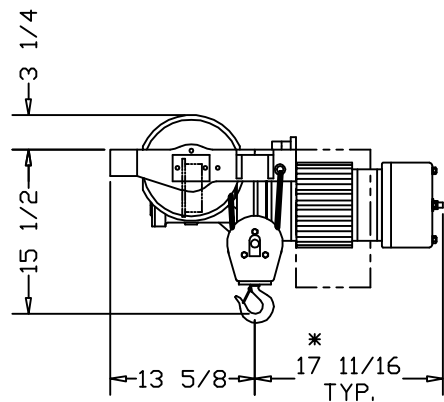
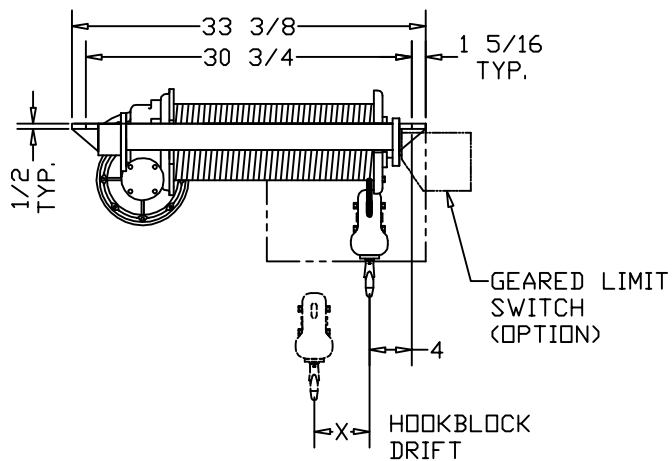


HOLE FOR 3/4 DIA. BOLT



*ALLOW 6" CLEARANCE TO SERVICE BRAKE

CUSTOMER:

REFERENCE NO.:

ELECTROLIFT AUTHORIZED DISTRIBUTOR:

	CATALOG #			
	13-LG	-	-	-
SPEED (FPM):	30	-	-	-
LIFT (FT):	58	-	-	-
CAPACITY (LBS):	1000 LBS			
REEVING:	2 PART SINGLE			
PRIMARY VOLTAGE:	460 or 230 (3 PH. STD)			
CONTROL VOLTAGE:	115 (STD)			
HOIST WEIGHT (LBS):	300			
HP:	1-1/2			
PIN LOADINGS (LBS):				
FULL UP		FULL DOWN		
LEFT SIDE	RIGHT SIDE	LEFT SIDE	RIGHT SIDE	
342	958	650	650	
HOOKBLOCK DRIFT AT FULL DOWN POSITION (IN.) (X): 9-1/2				
HOIST NOTES: -LARGER CONTROL BOXES MAY NEED TO BE RELOCATED				

ELECTROLIFT, INC.
204 SARGEANT AVE.
CLIFTON, NJ 07013
PH: 973-471-0204
FAX: 973-471-2814
www.electrolift.com

1	-	10/21/05	AR
REV.	ECO#	DATE	BY:

HOIST TYPE: "A" SINGLE HOOK

CONFIGURATION: LUG MOUNTED

DATE:	SCALE:	DWG SIZE:	DRAWN BY:
6/15/04	1:12	B	AR
CATALOG NO:		DRAWING NO:	
13-LG		A-104	