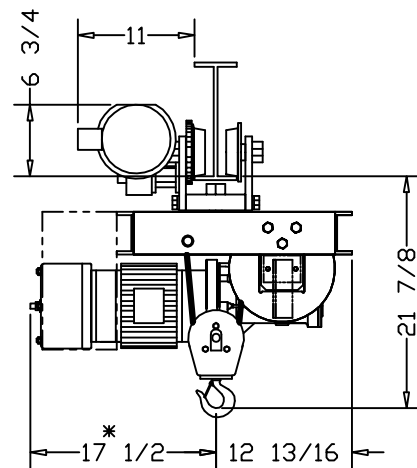


*ALLOW 6" CLEARANCE TO SERVICE BRAKE



CONTROL BOX
STD CONTROLS
SEE NOTE #1

CUSTOMER:

ELECTROLIFT AUTHORIZED DISTRIBUTOR:

REFERENCE NO.:

CATALOG #	SPEED (FPM):	LIFT (FT):
852-SD	20	20
853-SD	20	40
854-SD	20	50
-	-	-
-	-	-
-	-	-

CAPACITY (LBS):	1000 LBS
REEVING:	2 PART SINGLE
PRIMARY VOLTAGE:	460 or 230 (3 PH. STD)
CONTROL VOLTAGE:	115 (STD)
HOIST WEIGHT (LBS):	650
HP:	1
WHEEL LOADINGS (LBS PER WHEEL PAIR):	
LEFT SIDE:	413
RIGHT SIDE:	825

- HOIST NOTES:
1. SPECIFIC CONTROL BOX LOCATION WILL BE DEFINED UPON CONTROLS SELECTION, HOOK CENTERS, AND APPLICATION SPECIFIC CLEARANCE ISSUES
 2. AS SHOWN, CONFIGURATION IS ACCEPTABLE FOR HOOK CENTERS UP TO 120"
 3. CHANNEL GAUGE MAY INCREASE AS HOOK CENTERS BECOME LARGER
 4. CONTACT FACTORY FOR APPLICATIONS THAT REQUIRE HOOK CENTERS LARGER THAN 120"
 5. NO TRACKS SMALLER THAN S6

ELECTROLIFT, INC.
204 SARGEANT AVE.
CLIFTON, NJ 07013
PH: 973-471-0204
FAX: 973-471-2814
www.electrolift.com

REV.	ECO#	DATE	BY:

HOIST TYPE: "A" TWIN HOOK

CONFIGURATION: SIDE DRIVE TROLLEY

DATE:	SCALE:	DWG SIZE:	DRAWN BY:
8/13/04	1:12	B	AR
CATALOG NO.:	DRAWING NO.:		
852-SD 853-SD 854-SD	A-122		