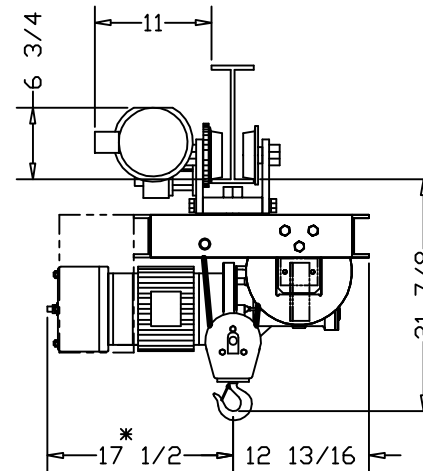


CONTROL BOX  
STD CONTROLS  
SEE NOTE #1

\*ALLOW 6" CLEARANCE  
TO SERVICE BRAKE



CUSTOMER:

ELECTROLIFT AUTHORIZED DISTRIBUTOR:

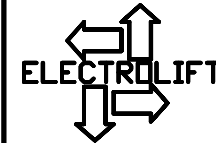
REFERENCE NO.:

CATALOG #	SPEED (FPM):	LIFT (FT):
162-SD	30	20
192-SD	30	40
855-SD	30	50
-	-	-
-	-	-
-	-	-

CAPACITY (LBS):	1000 LBS
REEVING:	2 PART SINGLE
PRIMARY VOLTAGE:	460 or 230 (3 PH. STD)
CONTROL VOLTAGE:	115 (STD)
HOIST WEIGHT (LBS):	650
HP:	1-1/2
WHEEL LOADINGS (LBS PER WHEEL PAIR):	
LEFT SIDE:	413
RIGHT SIDE:	825

HOIST NOTES:

1. SPECIFIC CONTROL BOX LOCATION WILL BE DEFINED UPON CONTROLS SELECTION, HOOK CENTERS, AND APPLICATION SPECIFIC CLEARANCE ISSUES
2. AS SHOWN, CONFIGURATION IS ACCEPTABLE FOR HOOK CENTERS UP TO 120"
3. CHANNEL GAUGE MAY INCREASE AS HOOK CENTERS BECOME LARGER
4. CONTACT FACTORY FOR APPLICATIONS THAT REQUIRE HOOK CENTERS LARGER THAN 120"
5. NO TRACKS SMALLER THAN S6



ELECTROLIFT, INC.  
204 SARGEANT AVE.  
CLIFTON, NJ 07013  
PH: 973-471-0204  
FAX: 973-471-2814  
www.electrolift.com

REV.	ECO#	DATE	BY:

HOIST TYPE: "A" TWIN HOOK

CONFIGURATION: SIDE DRIVE TROLLEY

DATE:	SCALE:	DWG SIZE:	DRAWN BY:
8/13/04	1:12	B	AR

CATALOG NO.:	DRAWING NO.:
162-SD 192-SD 855-SD	A-123