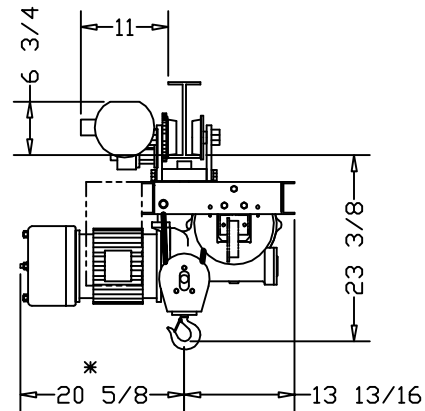


CONTROL BOX
STD CONTROLS
SEE NOTE #1

*ALLOW 6" CLEARANCE
TO SERVICE BRAKE

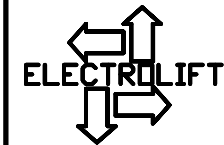


CATALOG #	SPEED (FPM):	LIFT (FT):
168-SD	25	20
163-SD	40	20
198-SD	25	40
193-SD	40	40
856-SD	25	58
857-SD	40	58

CAPACITY (LBS):	2000 LBS
REEVING:	2 PART SINGLE
PRIMARY VOLTAGE:	460 or 230 (3 PH. STD)
CONTROL VOLTAGE:	115 (STD)
HOIST WEIGHT (LBS):	850
HP:	4
WHEEL LOADINGS (LBS PER WHEEL PAIR):	
LEFT SIDE:	713
RIGHT SIDE:	1425

HOIST NOTES:

1. SPECIFIC CONTROL BOX LOCATION WILL BE DEFINED UPON CONTROLS SELECTION, HOOK CENTERS, AND APPLICATION SPECIFIC CLEARANCE ISSUES
2. AS SHOWN, CONFIGURATION IS ACCEPTABLE FOR HOOK CENTERS UP TO 120"
3. CHANNEL GAUGE MAY INCREASE AS HOOK CENTERS BECOME LARGER
4. CONTACT FACTORY FOR APPLICATIONS THAT REQUIRE HOOK CENTERS LARGER THAN 120"



ELECTROLIFT, INC.
204 SARGEANT AVE.
CLIFTON, NJ 07013
PH: 973-471-0204
FAX: 973-471-2814
www.electrolift.com

REV.	ECO#	DATE	BY:

HOIST TYPE: "B" TWIN HOOK

CONFIGURATION: SIDE DRIVE TROLLEY

CUSTOMER:

REFERENCE NO.:

ELECTROLIFT AUTHORIZED DISTRIBUTOR:

DATE:	SCALE:	DWG SIZE:	DRAWN BY:
8/5/04	1:16	B	AR
CATALOG NO: 168-SD 193-SD 163-SD 856-SD 198-SD 857-SD		DRAWING NO: B-158	