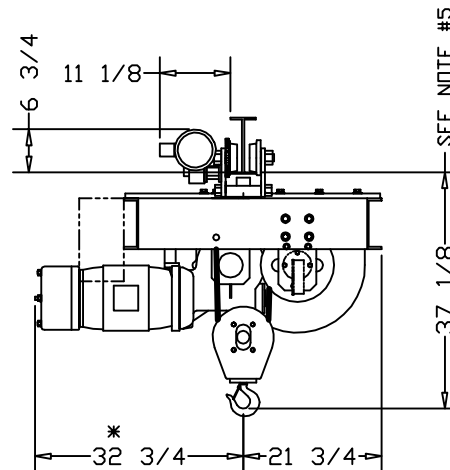


*ALLOW 6" CLEARANCE TO SERVICE BRAKE



| CATALOG # | SPEED (FPM): | LIFT (FT): |
|-----------|--------------|------------|
| 153-SD | 15 | 20 |
| 154-SD | 15 | 40 |
| 867-SD | 15 | 64 |
| - | - | - |
| - | - | - |
| - | - | - |

| | |
|--------------------------------------|------------------------|
| CAPACITY (LBS): | 10000 LBS |
| REEVING: | 2 PART SINGLE |
| PRIMARY VOLTAGE: | 460 or 230 (3 PH. STD) |
| CONTROL VOLTAGE: | 115 (STD) |
| HOIST WEIGHT (LBS): | 1950 |
| HP: | 7-1/2 |
| WHEEL LOADINGS (LBS PER WHEEL PAIR): | |
| LEFT SIDE: | 2988 |
| RIGHT SIDE: | 5975 |

- HOIST NOTES:
1. SPECIFIC CONTROL BOX LOCATION WILL BE DEFINED UPON CONTROLS SELECTION, HOOK CENTERS, AND APPLICATION SPECIFIC CLEARANCE ISSUES
 2. AS SHOWN, CONFIGURATION IS ACCEPTABLE FOR HOOK CENTERS UP TO 120"
 3. CHANNEL GAUGE MAY INCREASE AS HOOK CENTERS BECOME LARGER
 4. CONTACT FACTORY FOR APPLICATIONS THAT REQUIRE HOOK CENTERS LARGER THAN 120"
 5. PATENTED TRACK = 37-3/8"

ELECTROLIFT

ELECTROLIFT, INC.
204 SARGEANT AVE.
CLIFTON, NJ 07013
PH: 973-471-0204
FAX: 973-471-2814
www.electrolift.com

| REV. | ECO# | DATE | BY: |
|------|------|------|-----|
| | | | |

HOIST TYPE: "BC-3P" TWIN HOOK

CONFIGURATION: SIDE DRIVE TROLLEY

CUSTOMER:

REFERENCE NO.:

ELECTROLIFT AUTHORIZED DISTRIBUTOR:

| DATE: | SCALE: | DWG SIZE: | DRAWN BY: |
|----------------------------|--------------|-----------|-----------|
| 8/5/04 | 1:20 | B | AR |
| CATALOG NO.: | DRAWING NO.: | | |
| 153-SD 154-SD 867-SD | BC-124 | | |