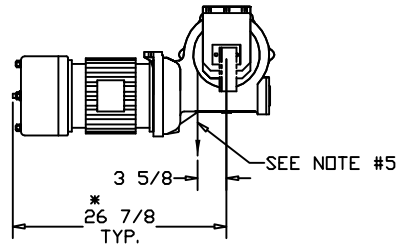
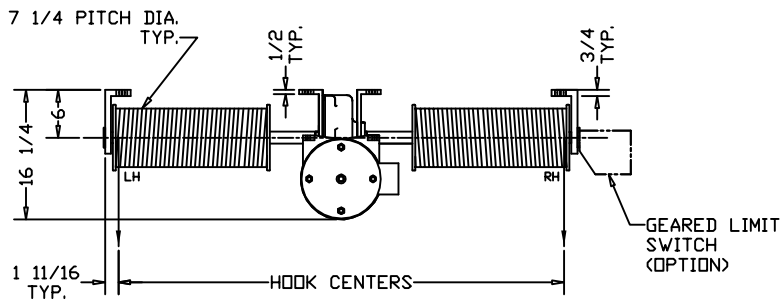
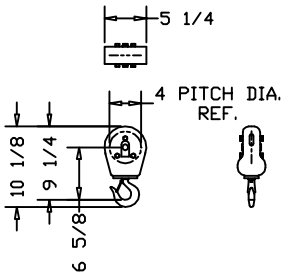


HOIST MOUNTING DETAIL HOLE LOCATIONS



*ALLOW 6" CLEARANCE TO SERVICE BRAKE



M-1041-A HOOK BLOCK
1000 LB. CAPACITY
4" PITCH DIA.
(2) SUPPLIED PER HOIST STD.
SHIPPED LOOSE

CUSTOMER:

ELECTROLIFT AUTHORIZED DISTRIBUTOR:

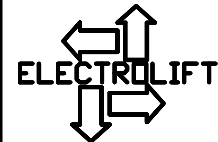
REFERENCE NO.:

CATALOG #

	243-OH	244-OH	-	-
SPEED (FPM):	25	40	-	-
HP:	4	4	-	-
MAX. HOOK CENTERS (IN.): (SEE NOTE #4)	120	103	-	-
LIFT (FT.):	58			
CAPACITY (LBS):	2000			
PRIMARY VOLTAGE:	460 or 230 (3 PH. STD)			
CONTROL VOLTAGE:	115 (STD)			
HOIST WEIGHT (LBS):	800			
REEVING:	2 PART SINGLE			

HOIST NOTES:

- STANDARD CONTROL BOX WILL BE SHIPPED LOOSE WITH HOIST, TO BE MOUNTED BY CUSTOMER.
- CONTROL BOX SIZE TO BE DETERMINED UPON CONTROLS SELECTION AT TIME OF ORDER.
- ALL ELECTRICAL CONNECTIONS BETWEEN HOIST AND CONTROL BOX TO BE COMPLETED BY CUSTOMER, UNLESS OTHERWISE SPECIFIED.
- FOR HOOK CENTERS LARGER THAN SPECIFIED MAXIMUM VALUE (SEE ABOVE), CONTACT ELECTROLIFT.
- WIRE ROPE CAN PAY OFF OPPOSITE SIDE OF DRUM, IF SPECIFIED.
- FOR SINGLE LINE APPLICATIONS, SPEED AND LIFT WILL BE TWICE THE SPECIFIED VALUE AND THE CAPACITY WILL BE HALF THE SPECIFIED VALUE.
- WIRE ROPE DEAD ENDING TO BE PROVIDED BY CUSTOMER



ELECTROLIFT, INC.
204 SARGEANT AVE.
CLIFTON, NJ 07013
PH: 973-471-0204
FAX: 973-471-2814
www.electrolift.com

REV.	ECO#	DATE	BY:

HOIST TYPE: "B" TWIN HOOK

CONFIGURATION: OVERHEAD MOUNTED

DATE:	SCALE:	DWG SIZE:	DRAWN BY:
8/26/04	1:16	B	AR
CATALOG NO.:		DRAWING NO.:	
243-OH 244-OH		B-168	